

NEWS BULLETIN

New 66 Series

INTRODUCTION

SEACON (europe) Ltd is pleased to announce the release of a new range of underwater electrical dry-mate connectors to enhance the existing 55 Series. The new 66 Series of reverse gender connectors enable power to be applied to the bulkhead connector yet still be safe to use. Manufactured utilizing tried and tested methods and materials, this new range will also incorporate shorter locking sleeves to ensure easier mating capability.

Other key features also include:-

- Manufactured in the United Kingdom
- Industry Standard Compatibility
- Proven Sealing Technology
- Heavy Duty Stub Acme Threads
- Pressure Rated Blanking Caps available



AVAILABILITY

The 66 Series is currently available in two shell sizes; 16 and 20 with two configurations (8#16*/13#16), however more configurations will be added to the range if required.

APPLICATIONS

This new connector range is suitable for a variety of applications including ROV's, underwater cameras, diver communications, lights and pan and tilts.

TESTING

Please contact SEACON (europe) Ltd for testing details.

GENERAL INFORMATION

COMPONENT	MATERIAL
BULKHEAD BODY - BCR CCP FCR	316L Stainless Steel Shell / Neoprene internals
CONTACTS	Gold plated per MIL-G-45204
O-RING	Nitrile N70
ENGAGING NUT	316L Stainless Steel coated with special anti-galling compound
IN-LINE CABLE	Neoprene. Other materials are also available (please contact SEACON (europe) Ltd for details)
SPIRAL RETAINING RING	316L Stainless Steel

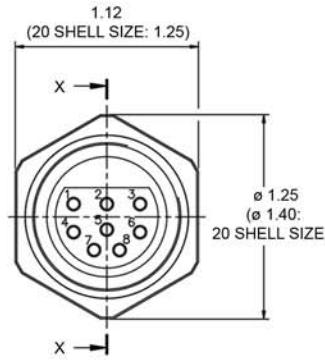
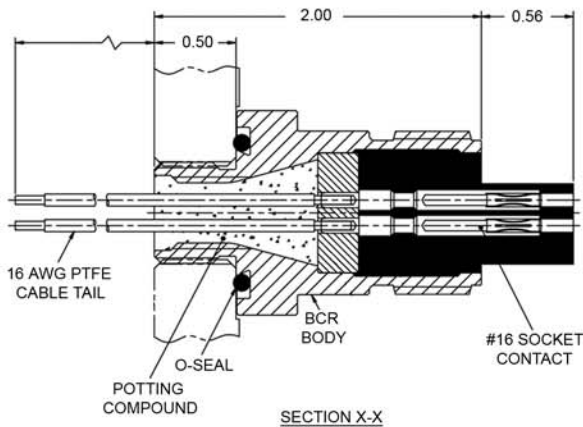
CATEGORY	VALUE
OPEN FACE PRESSURE	Up to 10,000 psi
MATED PRESSURE	10,000 psi
VOLTAGE RATING	600 VDC / 440 VAC
CURRENT	7 amps (contacts 13 amps) and cable dependent
BULKHEAD MOUNTING TORQUE	125 / 165 inch pounds
MATING CYCLES	500

HANDLING DETAILS

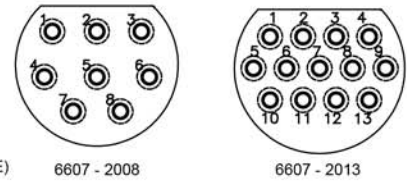
- Ensure the bulkhead interface is machined in accordance with the manufacturers recommendations and free from contaminants prior to fitting of the connector.
- Ensure the plug and receptacle connectors are free from contaminants prior to fitting.
- Apply a thin film of silicone compound (e.g. DC-4) to the bulkhead receptacle connector 'o' seal prior to fitting.
- Apply a thin film of silicone compound (e.g. DC-4) to the plug connector face seal prior to assembly with the receptacle connector.

DIMENSION DETAILS

BCR

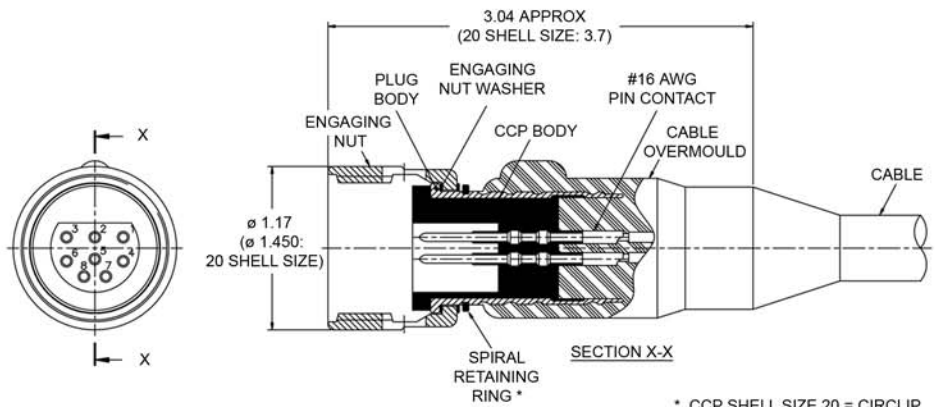


BCR FACE VIEW (NOT TO SCALE)



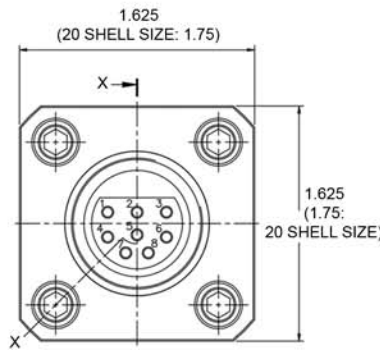
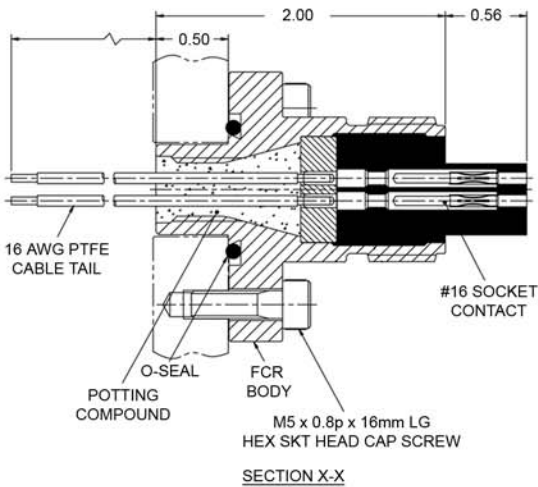
* SHELL SIZE 16 ONLY AVAILABLE IN 8#16 CONFIGURATION

CCP



* CCP SHELL SIZE 20 = CIRCLIP

FCR



NOTE: CABLE LENGTH TO BE SPECIFIED WITH ORDER.

All reasonable efforts have been taken to ensure that the information contained herein is accurate at the date of publication, but no representation or warranty as to the accuracy or completeness of such information is intended or to be implied by its inclusion herein. Any and all representations and warranties pertaining to the information and products referred to herein shall be set forth in SEA CON® standard sales order form. In addition, SEA CON® reserves the right to make changes to the contents hereof without notice, therefore it is suggested that at the time of inquiry, the appropriate sales office or factory be contacted directly for verification of published specifications and products availability.

© 2010 SEACON (europe) Ltd
ALL RIGHTS RESERVED