

# NEWS BULLETIN

## New Wet-Mate **GLOBE-CON**

### INTRODUCTION

SEA CON Global Production is pleased to announce the release of a new wet-mate version of its **GLOBE-CON** connector series. This new connector has most of the original features of the dry-mate **GLOBE-CON** but incorporates wet-mate capability.

Originally developed for a major offshore project, the **GLOBE-CON** series is a rugged, small diameter connector. The Bulkhead Connector Receptacle (BCR) has a 316 Stainless Steel shell with a Neoprene faced GRE (Glass Reinforced Epoxy) insert. The Cable Connector Plug (CCP) is a Neoprene faced GRE connector that is molded onto rubber jacketed cable as standard but can be molded to many custom cables also. This innovative connector design incorporates a spring ring device to secure the locking sleeve once mated thus improving reliability in high vibration environments.

Other key features include:-

- Positive keying system for easy connection.
- Standard SAE/MS tube boss seal configuration.
- Pressure rated to 10,000 psi mated and open face.

This new addition is an excellent alternative to the standard dry-mate **GLOBE-CON** where many repeated make and breaks are required in wet conditions.

### AVAILABILITY

The wet-mate **GLOBE-CON** is currently available in one shell size (K) with 2 configurations (3#20/5#20), however more configurations are due to be added to the range at a later date.

### COMPATABILITY

The wet-mate **GLOBE-CON** will not intermate with the dry-mate **GLOBE-CON**. However, the mounting configuration of the K size wet-mate **GLOBE-CON**, dry-mate **GLOBE-CON** and **HUMMER** are all the same therefore the three series may be interchanged at the same mounting port on customer's equipment.

### APPLICATIONS

The wet-mate **GLOBE-CON** is suitable for many applications including ROV's, Underwater Cameras, Sensors, Signal Transmissions and Control Systems.

### QUALIFICATION TESTING

This new connector has undergone complete qualification testing, including but not limited to, the following:-

- Insulation resistance testing @ 1Giga Ohm @ 500 VDC.
- Pressure testing; several cycles up to 24 hours @ 10,000 psi, mated and in an open face condition.
- Durability testing with 250 mate and de-mate cycles with no change in conductor or insulation resistance readings.



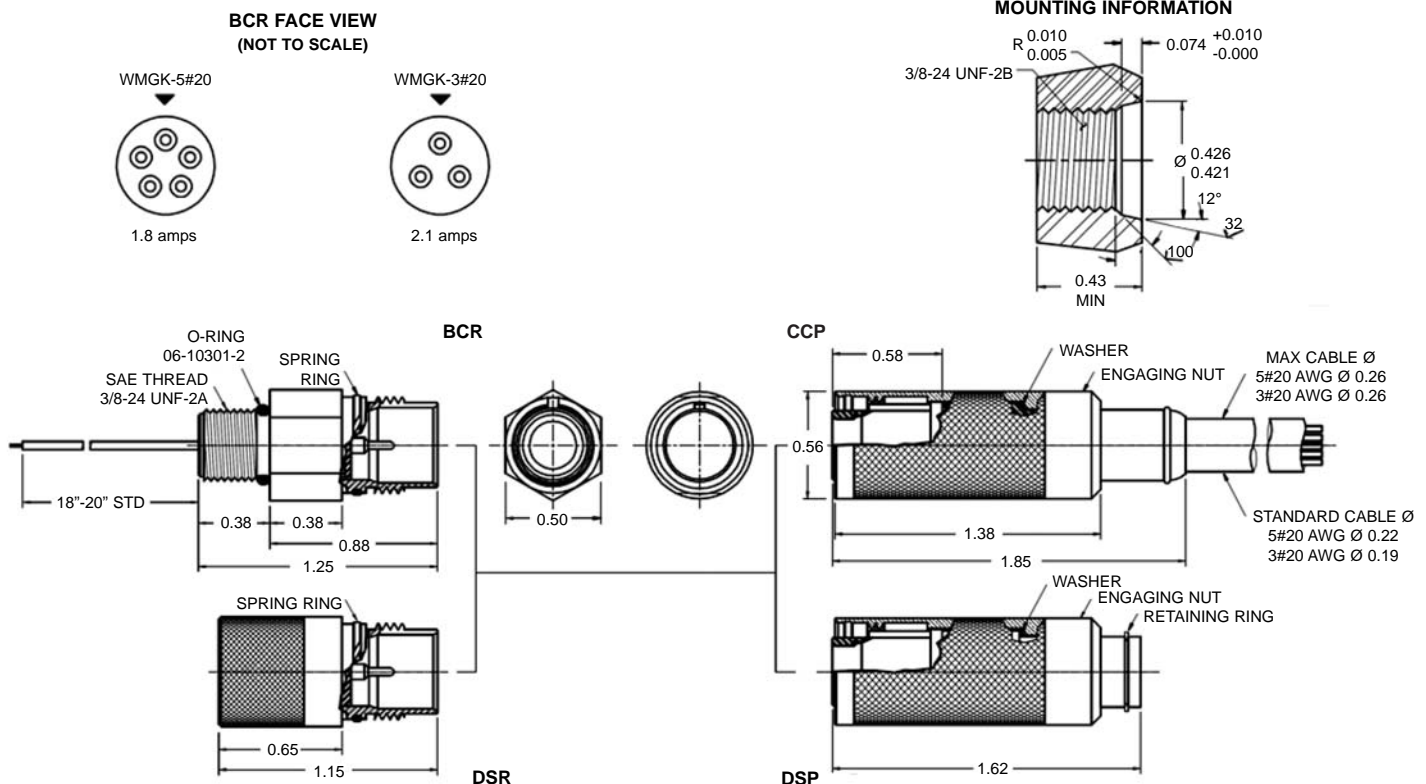
### GENERAL INFORMATION

COMPONENT	MATERIAL
<b>BULKHEAD BODY - BCR</b> CCP DSR DSP	316 Stainless Steel Shell with a Neoprene faced GRE (Glass Reinforced Epoxy) insert Neoprene faced, GRE connector that is molded to cable 316 Stainless Steel, Neoprene molding GRE/Neoprene
<b>CONTACTS</b>	Brass gold-plated
<b>O-RING</b>	Viton® (85 Durometer)
<b>ENGAGING NUT</b>	Copper Alloy 630
<b>IN-LINE CABLE</b> K3 K5	20/3, Neoprene, Teflon® insulation, #20 AWG, Amperage 2.1 per conductor** 20/5, Neoprene, Teflon® insulation, #20 AWG, Amperage 1.8 conductor**
<b>HOOK-UP WIRE</b>	Teflon® or Tefzel®, #20 AWG
<b>SPRING RING (optional)</b>	17-7 Stainless Steel
<b>WASHER</b>	Nylon 101
<b>RETAINING RING</b>	15-7 Stainless Steel

CATEGORY	VALUE
<b>OPEN FACE PRESSURE</b>	10,000 psi
<b>MATED PRESSURE</b>	10,000 psi (700 bar)
<b>VOLTAGE RATING</b>	500 VDC
<b>AMPERAGE</b>	Up to 2.1 amps based on standard cable but this may be impacted by cable selection
<b>INSULATION RESISTANCE</b>	>1 Gohms @ 500 VDC
<b>OPERATING TEMPERATURE</b>	25° to 140°F (-4° to 60°C)
<b>BULKHEAD MOUNTING TORQUE</b>	30 inch lbs***
<b>MATING CYCLES WITH NO CHANGE IN RESISTANCE OR IR READINGS</b>	250

\* Registered trademark for DuPont.  
 \*\* Maximum rating is for a "Fully Loaded" connector.  
 Cable rating must not be exceeded.  
 \*\*\* Torque values refers to installation into dry metal threads.

### DIMENSION DETAILS



All reasonable efforts have been taken to ensure that the information contained herein is accurate at the date of publication, but no representation or warranty as to the accuracy or completeness of such information is intended or to be implied by its inclusion herein. Any and all representations and warranties pertaining to the information and products referred to herein shall be set forth in SEACON® standard sales order form. In addition, SEACON® reserves the right to make changes to the contents hereof without notice, therefore it is suggested that at the time of inquiry, the appropriate sales office or factory be contacted directly for verification of published specifications and products availability.

© 2009 SEACON Global Production  
 ALL RIGHTS RESERVED