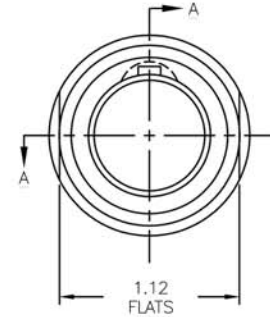
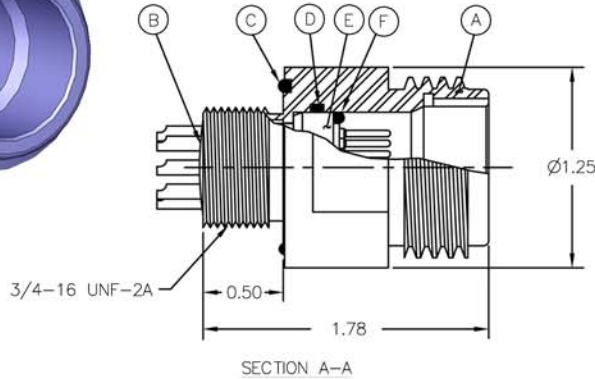
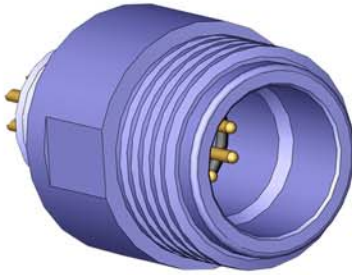


### GRE XSEE SERIES MSXEE-BCR

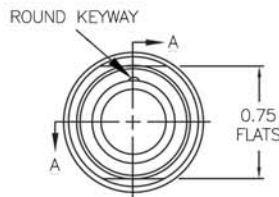
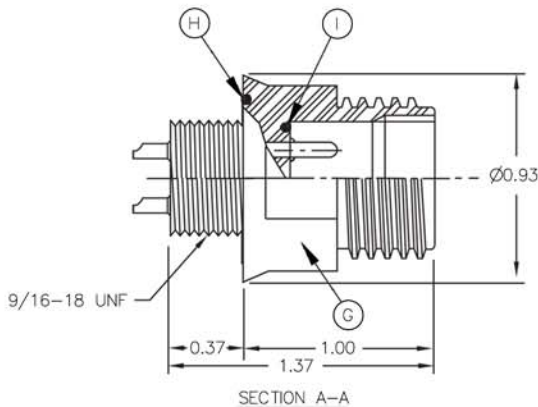
Stainless Steel Bulkhead Connector Receptacle  
Mates with XSEE-CCP  
Dummy Connector: XSEE-DSP



A - CONNECTOR SHELL	B	C - O-RING	D - O-RING	E	F - O-RING
MSXEE-CCP	POTTING	2-021	2-017	MSXEE-CIR	5-001

### GRE XSJ SERIES \* XSJ-BCR

GRE Bulkhead Connector Receptacle  
Mates with XSJ-CCP  
Dummy Connector: XSJ-DSP



G - CONNECTOR BODY	H - O-RING	I - O-RING
XSJ-BCR	5-254	5-058

**NOTES:**

- \* Whilst XSJ connectors are still available, they have been superseded by the XSJJ and we recommend the XSJJ for new applications.
- Shell: 316 Stainless Steel, passivated (MSXEE-BCR).
- Body: Glass Reinforced Epoxy B/A XS-2748 (XSJ-BCR).
- Contacts: Copper Alloy and Gold plated per MIL-G-45204.
- Back Potting: White Epoxy (MSXEE-BCR).
- O-ring: Nitrile (formerly known as Buna N).
- Specifications:
  - Pressure: Atmospheric to 10,000 psi mated.
  - Temperature Range: -57°C to +93°C (-70°F to +200°F).
  - Mounting Torque: 75 in-lbs in dry metal threads (MSXEE-BCR) / 20 in-lbs in dry metal threads (XSJ-BCR).
- See page 20 for all contact configurations available.

**OPTIONS:**

- 18 inch Teflon® (Registered trademark for DuPont) pigtailed are an option as are customer specified tails.
- Nut and washer set for Bulkhead Connector installation.
- Open face pressure resistance.