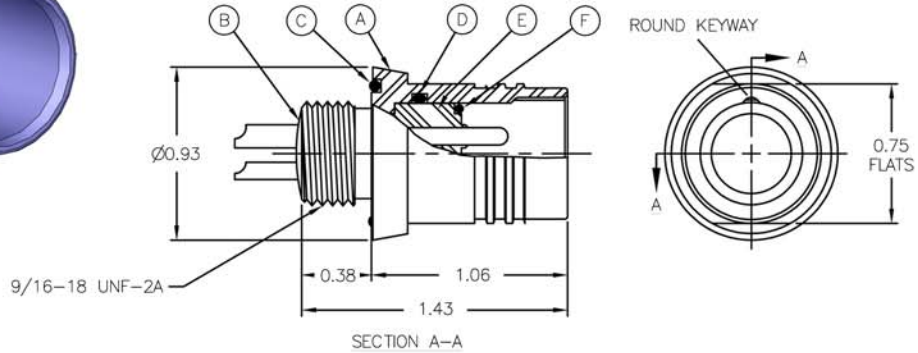
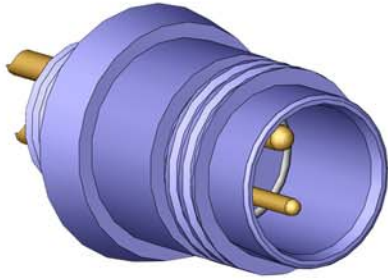


**GRE MSXJ SERIES *
MSXJ-BCR**

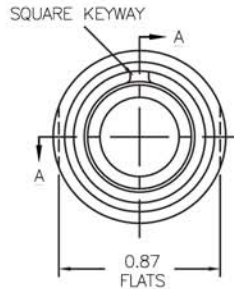
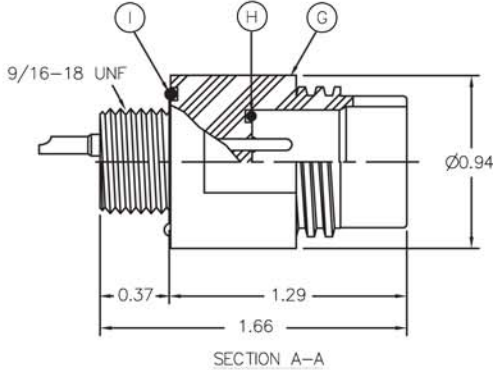
Stainless Steel Bulkhead Connector Receptacle
Mates with XSJ-CCP
Dummy Connector: XSJ-DSP



A - CONNECTOR SHELL	B	C - O-RING	D - O-RING	E	F - O-RING
MSXJ-BCR	POTTING	5-254	2-015	MSXJ-CIR	5-058

**GRE XSJJ SERIES
XSJJ-BCR**

GRE Bulkhead Connector Receptacle
Mates with XSJJ-CCP
Dummy Connector: XSJJ-DSP



G - CONNECTOR BODY	H - O-RING	I - O-RING
XSJJ-BCR	5-058	5-254

NOTES:

- * Whilst XSJ connectors are still available, they have been superseded by the XSJJ and we recommend the XSJJ for new applications.
- Shell: 316 Stainless Steel, passivated (MSXJ-BCR).
- Body: Glass Reinforced Epoxy B/A XS-2748 (XSJJ-BCR).
- Contacts: Copper Alloy and Gold plated per MIL-G-45204.
- Insert: Glass Reinforced Epoxy B/A XS-2748 (MSXJ-BCR).
- O-ring: Nitrile (formerly known as Buna N).
- Specifications:
 - Pressure: Atmospheric to 10,000 psi mated.
 - Temperature Range: -57°C to +93°C (-70°F to +200°F).
 - Mounting Torque: 20 in-lbs in dry metal threads (XSJJ-BCR).
- See page 20 for all contact configurations available.

OPTIONS:

- 18 inch Teflon® (Registered trademark for DuPont) pigtailed are an option as are customer specified tails.
- Nut and washer set for Bulkhead Connector installation.
- Open face pressure resistance.