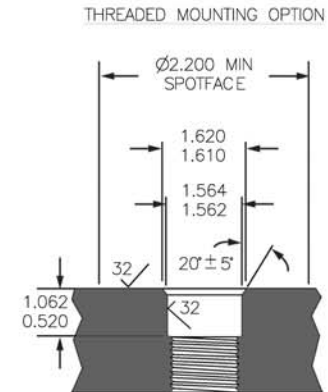
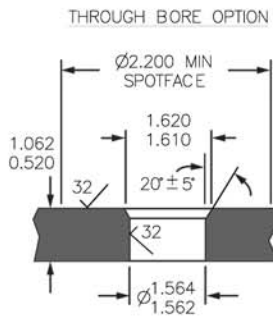
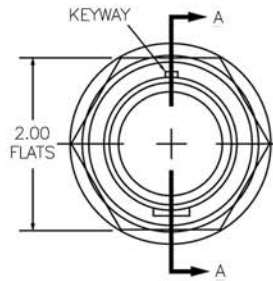
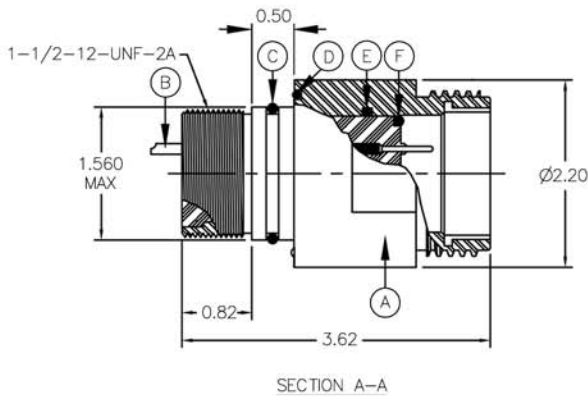
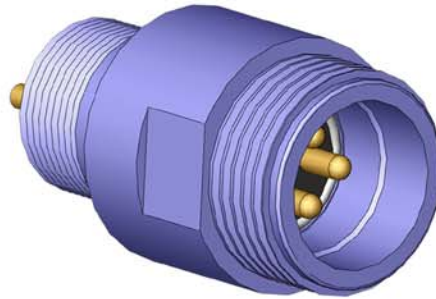


GRE MSXM SERIES MSXM-BCR

Stainless Steel Bulkhead Connector Receptacle
Mates with XSM-CCP & XSM-CCP-FI
Dummy Connector: XSM-DSP



A - CONNECTOR SHELL	B	C - O-RING	D - O-RING	E - O-RING	F - O-RING
MSXM-BCR	ELECTRICAL CONTACT	2-126	2-132	2-126	2-122

NOTES:

- Shell: 316 Stainless Steel, passivated.
- Contacts: Copper Alloy and Gold plated per MIL-G-45204.
- Insert: Glass Reinforced Epoxy B/A XS-2748.
- O-ring: Nitrile (formerly known as Buna N).
- Specifications:
 - Pressure: Atmospheric to 10,000 psi mated.
 - Temperature Range: -57°C to +93°C (-70°F to +200°F).
 - Mounting Torque: 200 in-lbs in dry metal threads.
- See page 20 for all contact configurations available.

OPTIONS:

- 18 inch Teflon® (Registered trademark for DuPont) pigtailed are an option as are customer specified tails.
- Nut and washer set for Bulkhead Connector installation.
- Open face pressure resistance.