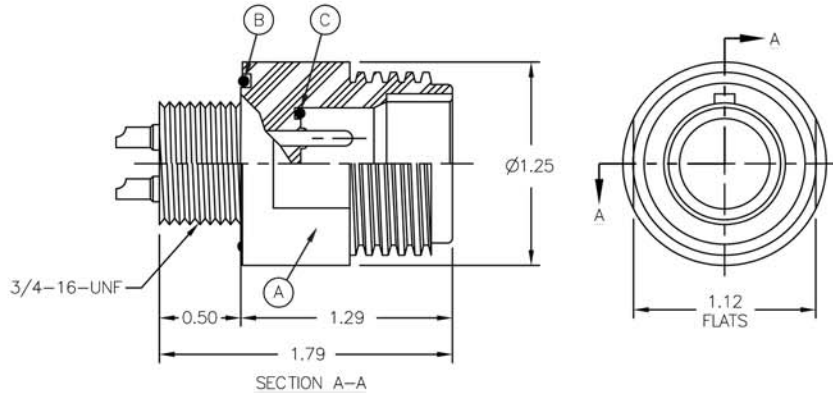


**GRE XSEE SERIES
XSEE-BCR**

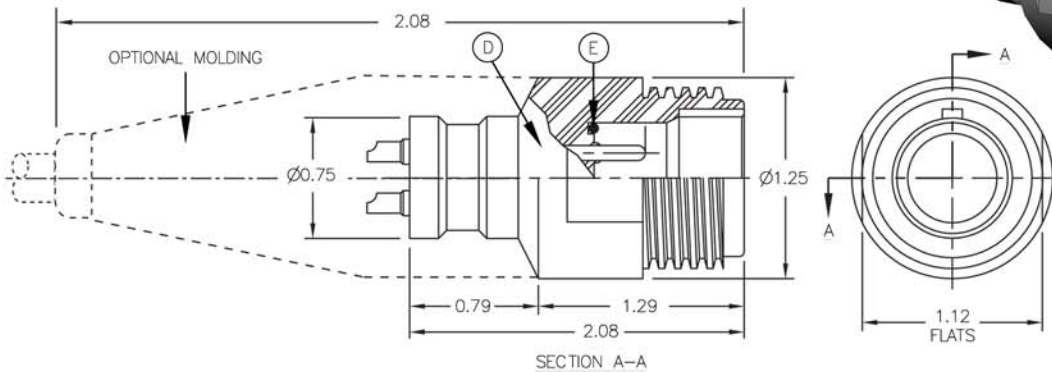
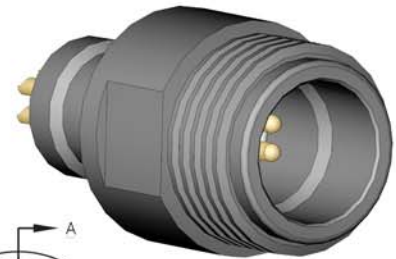
GRE Bulkhead Connector Receptacle
Mates with XSEE-CCP
Dummy Connector: XSEE-DSP



A - CONNECTOR BODY	B - O-RING	C - O-RING
XSEE-BCR	2-021	5-001

**GRE XSEE SERIES
XSEE-CCR**

GRE Cable Connector Receptacle
Mates with XSEE-CCP
Dummy Connector: XSEE-DSP



D - CONNECTOR BODY	E - O-RING
XSEE-CCR	5-001

NOTES:

- Body: Glass Reinforced Epoxy B/A XS-2748.
- Contacts: Copper Alloy and Gold plated per MIL-G-45204.
- O-ring: Nitrile (formerly known as Buna N).
- Specifications:
 - Pressure: Atmospheric to 10,000 psi mated.
 - Temperature Range: -57°C to +93°C (-70°F to +200°F).
 - Mounting Torque: 75 in-lbs in dry metal threads (XSEE-BCR).
 - Maximum Cable Diameter: 0.62 (XSEE-CCR).
- See page 20 for all contact configurations available.

OPTIONS:

- 18 inch Teflon® (Registered trademark for DuPont) pigtailed are an option as are customer specified tails (XSEE-BCR).
- Nut and washer set for Bulkhead Connector installation (XSEE-BCR).
- Open face pressure resistance.
- Cable and molding is optional at additional cost (XSEE-CCR).