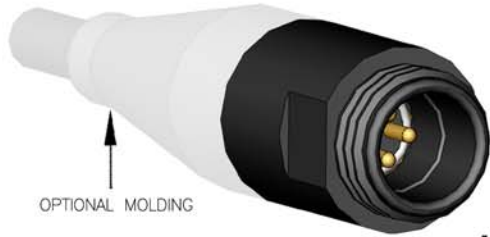
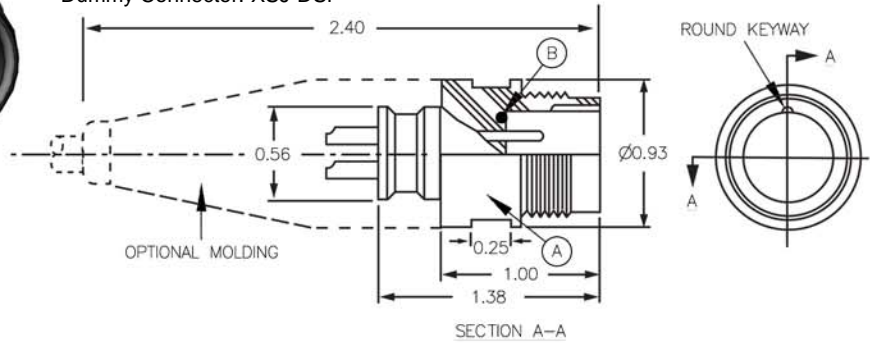


**GRE XSJ SERIES \*  
XSJ-CCR**

GRE Cable Connector Receptacle  
Mates with XSJ-CCP  
Dummy Connector: XSJ-DSP



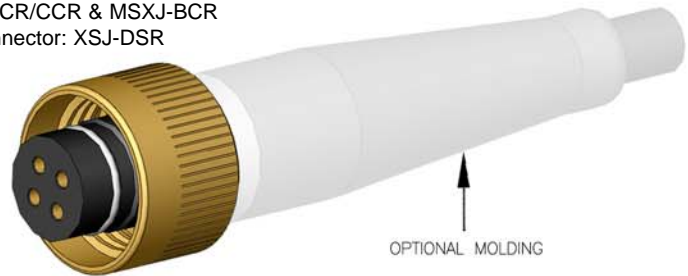
OPTIONAL MOLDING



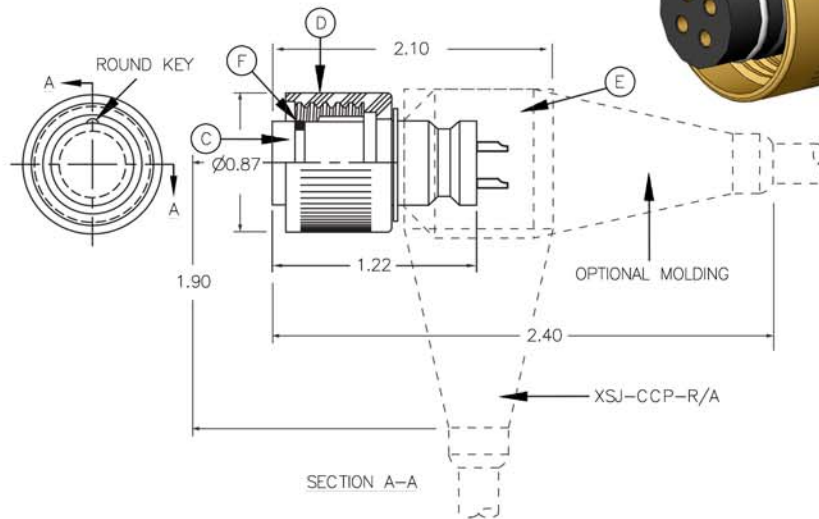
A - CONNECTOR BODY	B - O-RING
XSJ-CCR	5-058

**GRE XSJ SERIES \*  
XSJ-CCP**

GRE Cable Connector Plug  
Mates with XSJ-BCR/CCR & MSXJ-BCR  
Dummy Connector: XSJ-DSR



OPTIONAL MOLDING



C - CONNECTOR BODY	D	E - MOLD	F - O-RING
XSJ-CCP	ENGAGING NUT	POLYURETHANE OR NEOPRENE	2-013

**NOTES:**

- \* Whilst XSJ connectors are still available, they have been superseded by the XSJJ and we recommend the XSJJ for new applications.
- Body: Glass Reinforced Epoxy B/A XS-2748.
- Contacts: Copper Alloy and Gold plated per MIL-G-45204.
- Engaging Nut: Delrin® (DuPont trademark for Acetal Resin) (XSJ-CCP).
- O-ring: Nitrile (formerly known as Buna N).
- Specifications:
  - Pressure: Atmospheric to 10,000 psi mated.
  - Temperature Range: -57°C to +93°C (-70°F to +200°F).
  - Maximum Cable Diameter: 0.750 (XSJ-CCR) / 0.875 (XSJ-CCP).
- See page 20 for all contact configurations available.

**OPTIONS:**

- Open face pressure resistance.
- Cable and molding is optional at additional cost.
- Field installable boot available.