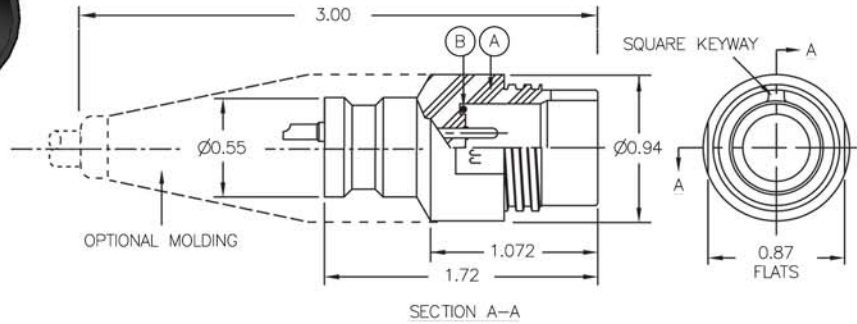
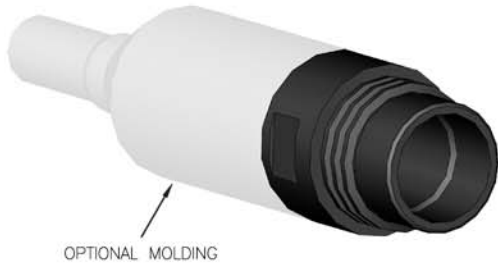


GRE XSJJ SERIES XSJJ-CCR

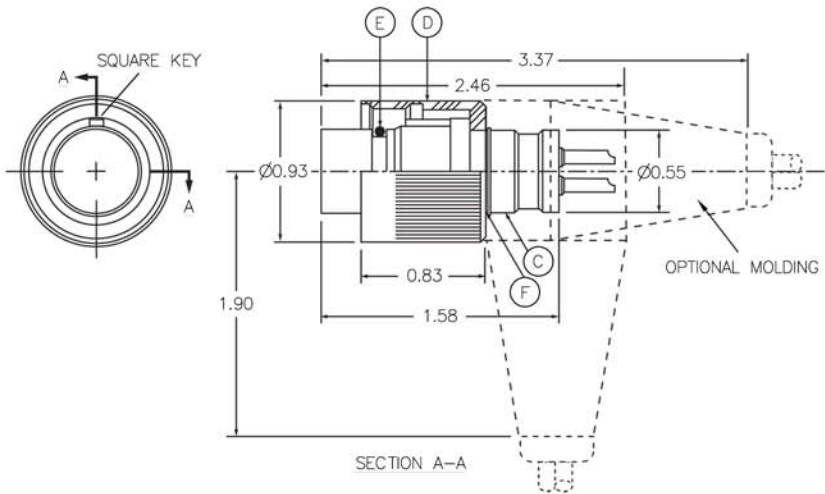
GRE Cable Connector Receptacle
Mates with XSJJ-CCP
Dummy Connector: XSJJ-DSP



A - CONNECTOR BODY	B
XSJJ-CCR	5-058

GRE XSJJ SERIES XSJJ-CCP

GRE Cable Connector Plug
Mates with XSJJ-BCR/CCR & MSXJJ-BCR
Dummy Connector: XSJJ-DSR



C - CONNECTOR BODY	D	E - O-RING	F - RETAINING RING
XSJJ-CCP	ENGAGING NUT	2-013	5100-55

NOTES:

- Body: Glass Reinforced Epoxy B/A XS-2748.
- Contacts: Copper Alloy and Gold plated per MIL-G-45204.
- Engaging Nut: Delrin® (DuPont trademark for Acetal Resin) (XSJJ-CCP).
- O-ring: Nitrile (formerly known as Buna N).
- Retaining Ring: Stainless Steel, PH 15-7 MO (XSJJ-CCP).
- Specifications:
 - Pressure: Atmospheric to 10,000 psi mated.
 - Temperature Range: -57°C to +93°C (-70°F to +200°F).
 - Mounting Torque: 20 in-lbs in dry metal threads (XSJJ-CCR).
 - Maximum cable diameter: 0.750 (XSJJ-CCR) / 0.875 (XSJJ-CCP).
- See page 20 for all contact configurations available.

OPTIONS:

- Open face pressure resistance.
- Cable and molding is optional at additional cost.