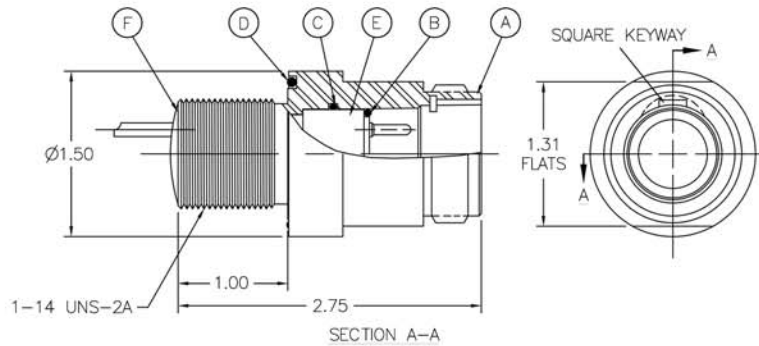
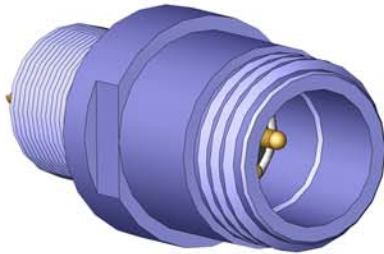


GRE MSXL SERIES MSXL-BCR

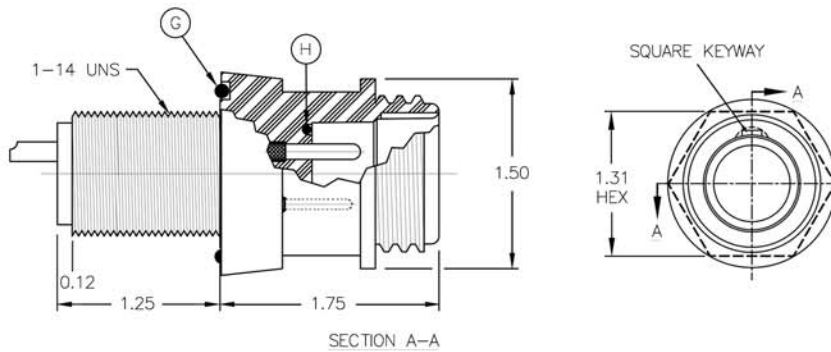
GRE Bulkhead Connector Receptacle
Mates with XSL-CCP
Dummy Connector: XSL-DSP



A - CONNECTOR SHELL	B - O-RING	C - O-RING	D - O-RING	E	F
MSXL-BCR	2-017	2-019	2-123	MSXL-CIR	POTTING

GRE PBOF SERIES XSL-BCR-PBOF

GRE Bulkhead Connector Receptacle Pressure Balanced Oil Filled
Mates with XSL-CCP-PBOF
Dummy Connector: XSL-DSP-PBOF



CONNECTOR BODY	G - O-RING	H - O-RING
XSL-BCR-PBOF	2-123	2-016

NOTES:

- Shell: 316 Stainless Steel, passivated (MSXL-BCR).
- Body: Glass Reinforced Epoxy B/A XS-2748 (XSL-BCR-PBOF).
- Contacts: Copper Alloy and Gold plated per MIL-G-45204.
- Insert: Glass Reinforced Epoxy B/A XS-2748 (MSXL-BCR).
- O-ring: Nitrile (formerly known as Buna N).
- Internal o-ring is 2-016 for all patterns, however XSL-12 and 20 utilize o-ring 5-254 (XSL-BCR-PBOF).
- Specifications:
 - Pressure: Atmospheric to 20,000 psi mated (MSXL-BCR) / 10,000 psi mated (XSL-BCR-POF).
 - Temperature Range: -57°C to +93°C (-70°F to +200°F).
 - Mounting Torque: 130 in-lbs in dry metal threads.
- See page 20 for all contact configurations available.

OPTIONS:

- 18 inch Teflon® (Registered trademark for DuPont) pigtailed are an option as are customer specified tails.
- Nut and washer set for Bulkhead Connector installation.
- Open face pressure resistance (MSXL-BCR).