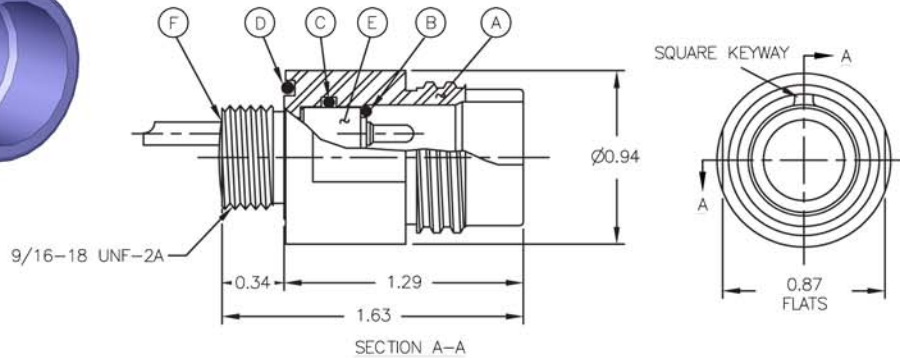
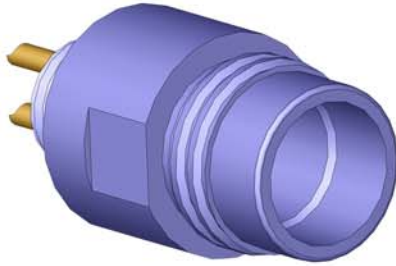


### GRE MSXJJ SERIES MSXJJ-BCR

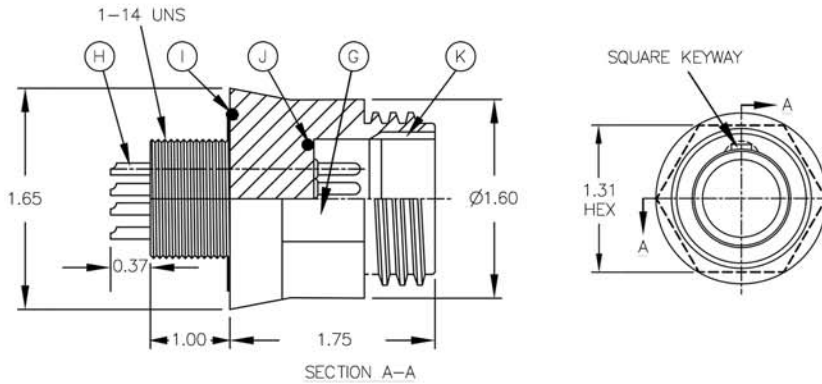
Stainless Steel Bulkhead Connector Receptacle  
Mates with XSJJ-CCP  
Dummy Connector: XSJJ-DSP



A - CONNECTOR SHELL	B - O-RING	C - O-RING	D - O-RING	E	F
MSXJJ-BCR	5-058	2-015	5-254	MSXJJ-CIR	POTTING

### GRE XSL SERIES XSL-BCR

GRE Bulkhead Connector Receptacle  
Mates with XSL-CCP & XSL-CCP-FI  
Dummy Connector: XSL-DSP



G - CONNECTOR BODY	H	I - O-RING	J - O-RING*	K
XSL-BCR	ELECTRICAL CONTACT (SOLDER POTS)	2-123	2-016	KEYWAY

**NOTES:**

- Shell: 316 Stainless Steel, passivated (MSXJJ-BCR).
- Body: Glass Reinforced Epoxy B/A XS-2748 (XSL-BCR).
- Contacts: Copper Alloy and Gold plated per MIL-G-45204.
- O-ring: Nitrile (formerly known as Buna N).
- Insert: Glass Reinforced Epoxy B/A XS-2748 (MSXJJ-BCR).
- Back Potting: White Epoxy (MSXJJ-BCR).
- Specifications:
  - Pressure: Atmospheric to 10,000 psi mated (MSXJJ-BCR) / 20,000 psi mated (XSL-BCR).
  - Temperature Range: -57°C to +93°C (-70°F to +200°F).
  - Mounting Torque: 20 in-lbs in dry metal threads (MSXJJ-BCR) / 130 in-lbs in dry metal threads (XSL-BCR).
- \* XSL-20-BCR utilizes o-ring 5-254.
- See page 20 for all contact configurations available.

**OPTIONS:**

- 18 inch Teflon® (Registered trademark for DuPont) pigtailed are an option as are customer specified tails.
- Nut and washer set for Bulkhead Connector installation.
- Open face pressure resistance.