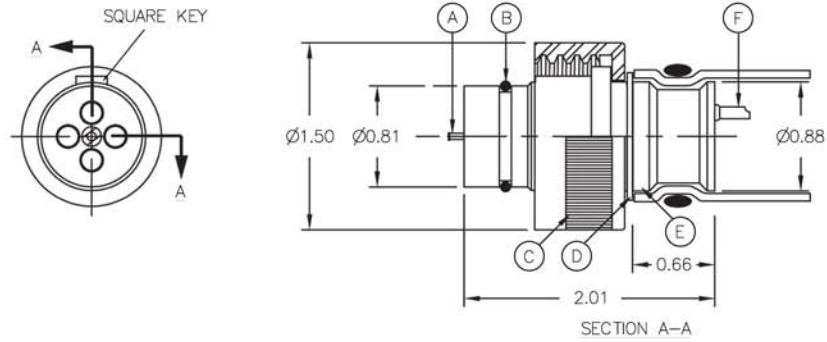


GRE PBOF SERIES XSL-CCP-PBOF

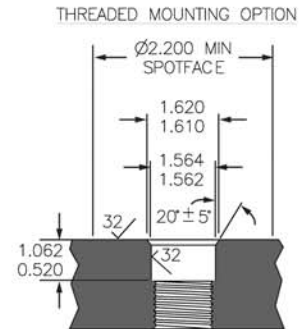
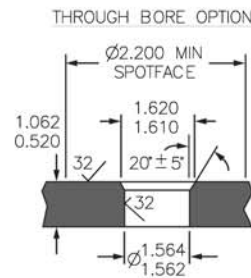
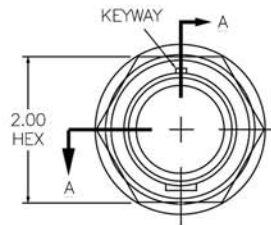
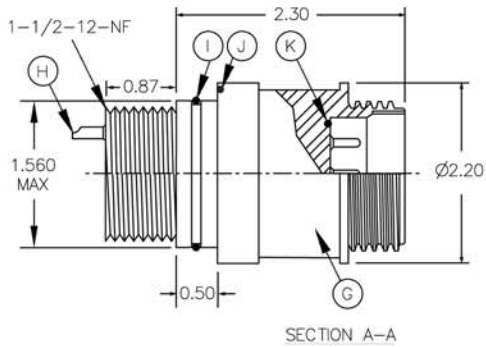
GRE Cable Connector Plug Pressure Balanced Oil Filled
Mates with XSL-BCR-PBOF
Dummy Connector: XSL-DSR-PBOF



CONNECTOR BODY	A	B - O-RING	C	D	E	F
XSL-CCP-PBOF	OIL COMPENSATED VALVE	2-017	ENGAGING NUT	RETAINING RING	DIAMETER ON BODY FOR TUBING TERMINATION	SOLDER POTS

GRE XSM SERIES XSM-BCR

GRE Bulkhead Connector Receptacle
Mates with XSM-CCP & XSM-CCP-FI
Dummy Connector: XSM-DSP



G - CONNECTOR BODY	H	I - O-RING	J - O-RING	K - O-RING
XSM-BCR	ELECTRICAL CONTACT	2-126	2-132	2-122

NOTES:

- Body: Glass Reinforced Epoxy B/A XS-2748.
- Contacts: Copper Alloy and Gold plated per MIL-G-45204.
- O-ring: Nitrile (formerly known as Buna N).
- Internal o-ring is 2-016 for all patterns, however XSL-12 and 20 utilize o-ring 5-254 (XSL-CCP-PBOF).
- Engaging Nut: Delrin® (DuPont trademark for Acetal Resin) (XSL-CCP-PBOF).
- Retaining Ring: Stainless Steel, PH 15-7 MO (XSL-CCP-PBOF).
- Recommended Tubing Size: 0.75 ID (Tubing not supplied with parts unless specified) (XSL-CCP-PBOF).
- Specifications:
 - Pressure: Atmospheric to 10,000 psi mated.
 - Temperature Range: -57°C to +93°C (-70°F to +200°F).
 - Mounting Torque: 200 in-lbs in dry metal threads (XSM-BCR).
- See page 20 for all contact configurations available.

OPTIONS:

- 18 inch Teflon® (Registered trademark for DuPont) pigtailed are an option as are customer specified tails.
- Nut and washer set for Bulkhead Connector installation.
- Open face pressure resistance (XSM-BCR).