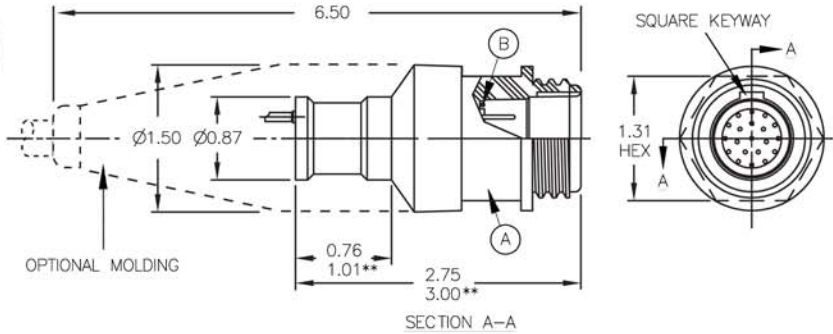
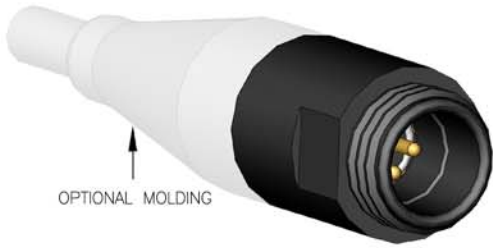


GRE XSL SERIES XSL-CCR

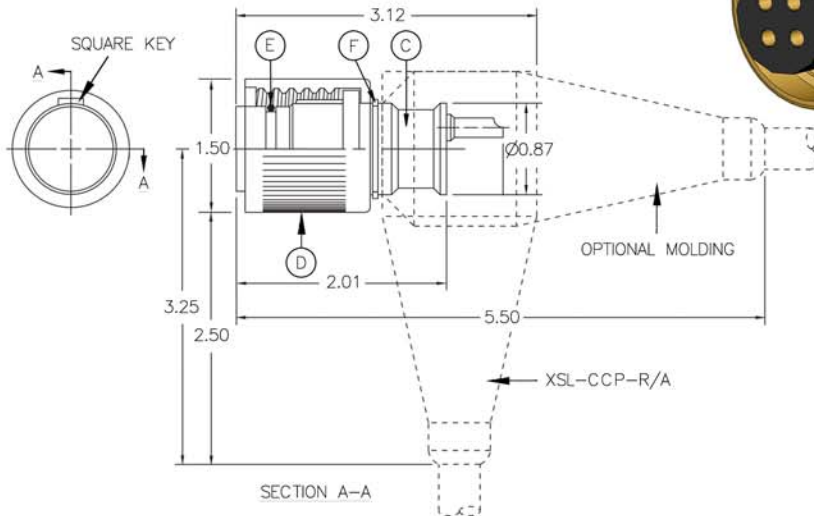
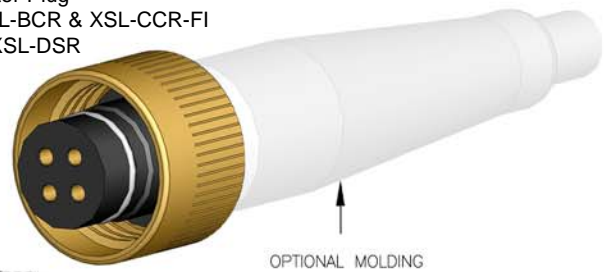
GRE Cable Connector Receptacle
Mates with XSL-CCP & XSL-CCP-FI
Dummy Connector: XSL-DSP



A - CONNECTOR BODY	B - O-RING*
XSL-CCR	2-016

GRE XSL SERIES XSL-CCP

GRE Cable Connector Plug
Mates with XSL-BCR/CCR & MSXL-BCR & XSL-CCR-FI
Dummy Connector: XSL-DSR



C - CONNECTOR BODY	D	E - O-RING	F - RETAINING RING
XSL-CCP	ENGAGING NUT	2-017	5100-87

NOTES:

- Body: Glass Reinforced Epoxy B/A XS-2748.
- Contacts: Copper Alloy and Gold plated per MIL-G-45204.
- O-ring: Nitrile (formerly known as Buna N).
- Engaging Nut: Delrin® (DuPont trademark for Acetal Resin) (XSL-CCP).
- Retaining Ring: Stainless Steel, PH 15-7 MO (XSL-CCP).
- Specifications:
 - Pressure: Atmospheric to 20,000 psi mated.
 - Temperature Range: -57°C to +93°C (-70°F to +200°F).
 - Maximum Cable Diameter: 0.87 (includes XSL-CCP-R/A).
- * XSL-20-CCR utilizes o-ring 5-254.
- ** XSL-20-CCR dimensions only.
- See page 20 for all contact configurations available.

OPTIONS:

- Open face pressure resistance.
- Cable and molding is optional at additional cost.