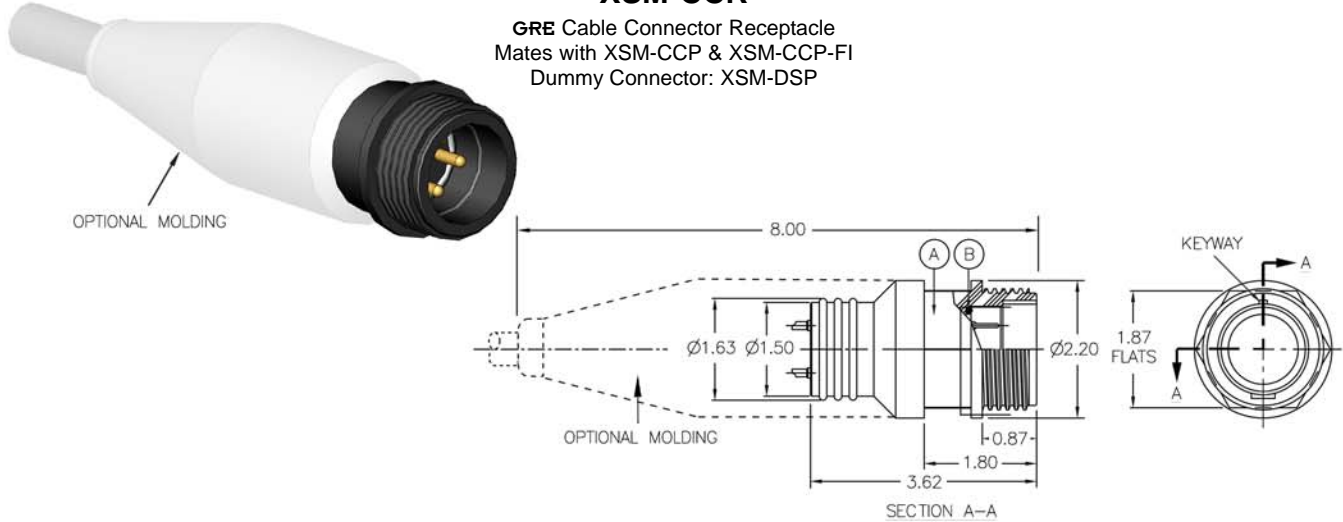


GRE XSM SERIES XSM-CCR

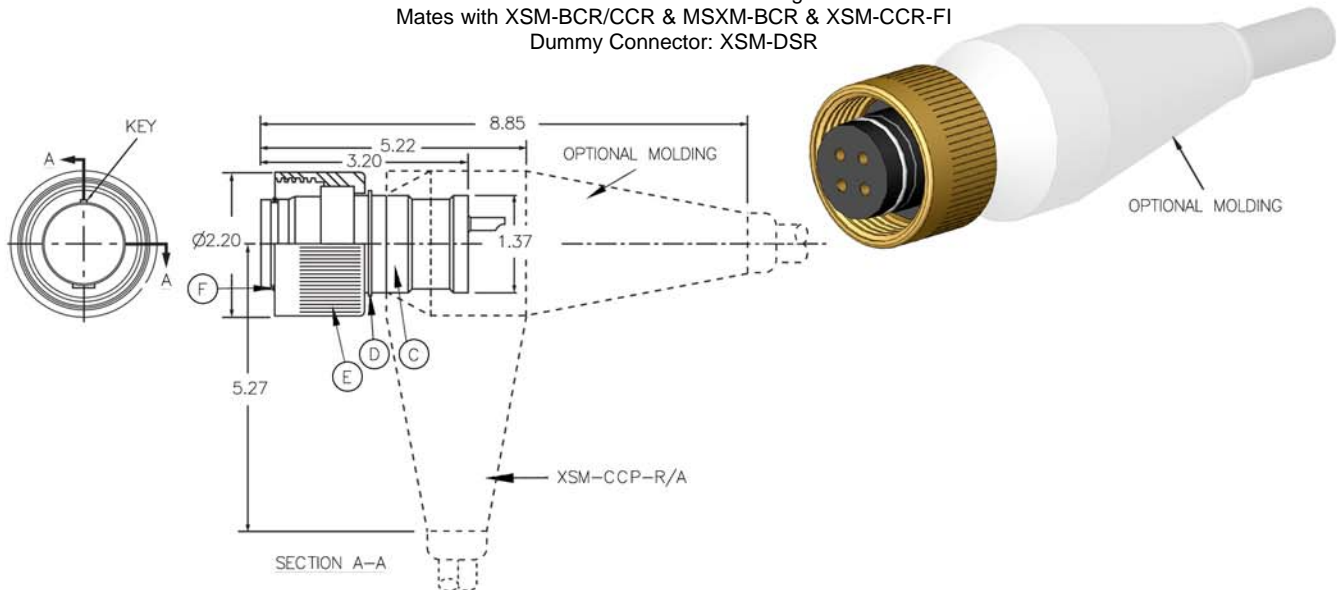
GRE Cable Connector Receptacle
Mates with XSM-CCP & XSM-CCP-FI
Dummy Connector: XSM-DSP



A - CONNECTOR BODY	B - O-RING
XSM-CCR	2-122

GRE XSM SERIES XSM-CCP

GRE Cable Connector Plug
Mates with XSM-BCR/CCR & MSXM-BCR & XSM-CCR-FI
Dummy Connector: XSM-DSR



C - CONNECTOR BODY	D - RETAINING RING	E - ENGAGING NUT	F - O-RING
XSM-CCP	5600-137H	STAINLESS STEEL	2-026

NOTES:

- Body: Glass Reinforced Epoxy B/A XS-2748.
- Contacts: Copper Alloy and Gold plated per MIL-G-45204.
- O-ring: Nitrile (formerly known as Buna N).
- Retaining Ring: Stainless Steel, PH 15-7 MO (XSM-CCP).
- Specifications:
 - Pressure: Atmospheric to 10,000 psi mated.
 - Temperature Range: -57°C to +93°C (-70°F to +200°F).
 - Maximum Cable Diameter: 1.125.
- See page 20 for all contact configurations available.

OPTIONS:

- Open face pressure resistance.
- Cable and molding is optional at additional cost.