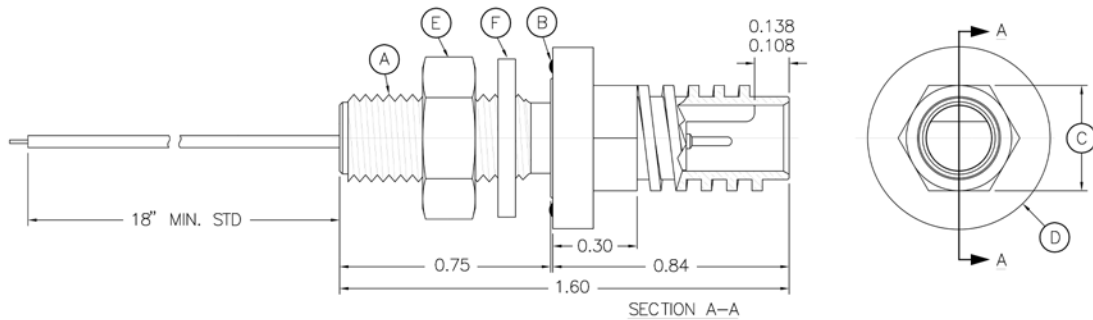


HUMMER SERIES HUM-BCR FACE SEAL

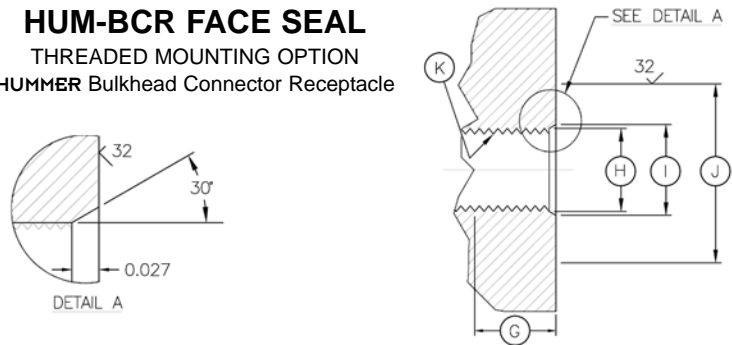
HUMMER Bulkhead Connector Receptacle
Mates with HUM-CCP/DSP



CONNECTOR	A - SAE THREAD	B - O-RING	C - HEX FLATS (INCHES)	D - Ø FLANGE (INCHES)	E - NUT*	F - WASHER*
HUMG-BCR FACE SEAL	5/16-24 UNF-2A	2-013	0.37	0.65	605-G01	705-G01
HUMK-BCR FACE SEAL	3/8-24 UNF-2A	2-014	0.50	0.71	610-G01	710-G01
HUML-BCR FACE SEAL	1/2-20 UNF-2A	2-016	0.62	0.84	615-1	715-1

HUMMER SERIES HUM-BCR FACE SEAL THREADED MOUNTING OPTION

HUMMER Bulkhead Connector Receptacle

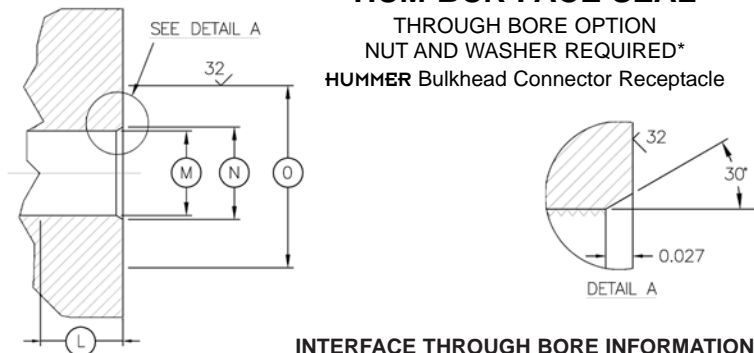


INTERFACE THREADED MOUNTING INFORMATION

CONNECTOR	G - MIN LENGTH (INCHES)	H - Ø (INCHES)	I - Ø (INCHES)	J - MIN Ø (INCHES)	K - THREAD
HUMG-BCR	0.20	0.320	0.350	0.690	5/16-24 UNF-2B
HUMK-BCR	0.22	0.385	0.415	0.750	3/8-24 UNF-2B
HUML-BCR	0.32	N/A	0.540	0.875	1/2-20 UNF-2B

HUMMER SERIES HUM-BCR FACE SEAL

THROUGH BORE OPTION
NUT AND WASHER REQUIRED*
HUMMER Bulkhead Connector Receptacle



INTERFACE THROUGH BORE INFORMATION

CONNECTOR	L - MAX LENGTH (INCHES)	M - Ø (INCHES)	N - Ø (INCHES)	O - MIN Ø (INCHES)
HUMG-BCR	0.50	0.320	0.350	0.690
HUMK-BCR	0.47	0.385	0.415	0.750
HUML-BCR	0.37	0.510	0.540	0.875

NOTES:
 * Nut and Washer are not included and are sold separately.