

# INTERFACE DETAILS

## Micro MINI-CON SERIES MM-BCR

Micro MINI-CON Bulkhead Connector Receptacle  
THROUGH BORE OPTION

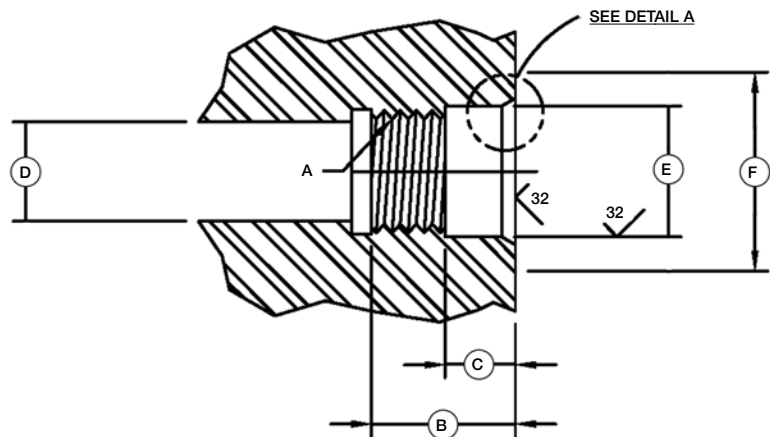


### BCR INTERFACE MOUNTING INFORMATION

CONNECTOR	A - LENGTH	B - $\phi$	C - $\phi$
MMG-BCR	0.250	0.408	0.62
	0.156	0.407	
MMK-BCR	0.250	0.537	0.75
	0.156	0.536	
MML-BCR	0.250	0.632	0.87
	0.156	0.631	
MMM-BCR	0.310	0.711	1.00
	0.200	0.710	

## Micro MINI-CON SERIES MM-BCR

Micro MINI-CON Bulkhead Connector Receptacle  
THREADED MOUNTING OPTION



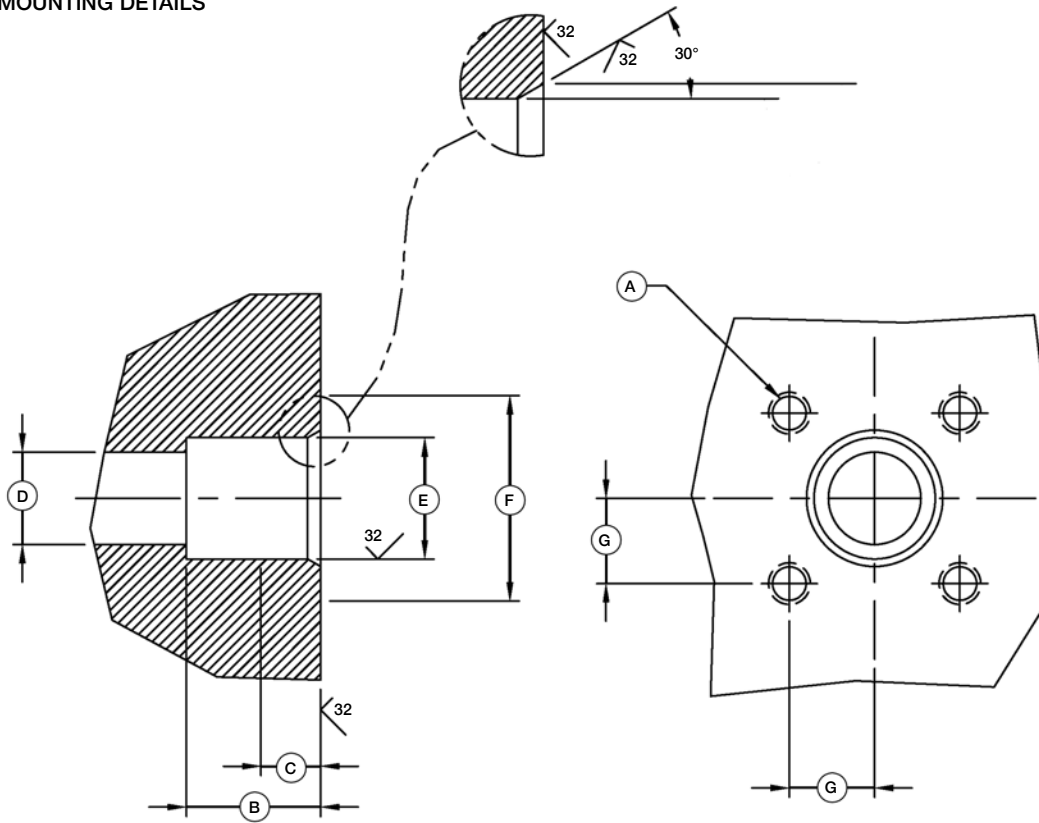
### BCR INTERFACE THREADED MOUNTING INFORMATION

CONNECTOR	A - THREAD	B - LENGTH	C - $\phi$	D - $\phi$	E - $\phi$	F - $\phi$
MMG-BCR	0.375-24 UNF-2B	0.45	0.22	0.31	0.408	0.62
					0.407	
MMK-BCR	1/2-20 UNF-2A	0.45	0.22	0.37	0.537	0.75
					0.536	
MML-BCR	19/32-18 UNF-2B	0.45	0.22	0.45	0.632	0.87
					0.631	
MMM-BCR	0.687-20 UN-2B	0.510	0.29	N/A	0.711	1.00
					0.710	

# INTERFACE DETAILS

## Micro MINI-CON SERIES MM-FCR

Micro MINI-CON Flange Connector Receptacle  
MOUNTING DETAILS



**FCR INTERFACE MOUNTING INFORMATION**

CONNECTOR	A - THREAD	B - LENGTH	C - Ø	D - Ø	E - Ø	F - Ø	G - Ø
MMG-FCR	4 X 4-40 UNC-2B	0.45	0.20	0.31	0.408 0.407	0.62	0.286
MMK-FCR	4 X 4-40 UNC-2B	0.45	0.20	0.37	0.537 0.536	0.750	0.343
MML-FCR	4 X 4-40 UNC-2B	0.50	0.13	0.50	0.632 0.631	0.88	0.400
MMM-FCR	4 X 6-32 UNC-2B	0.52	0.20	0.50	0.711 0.710	1.00	0.438