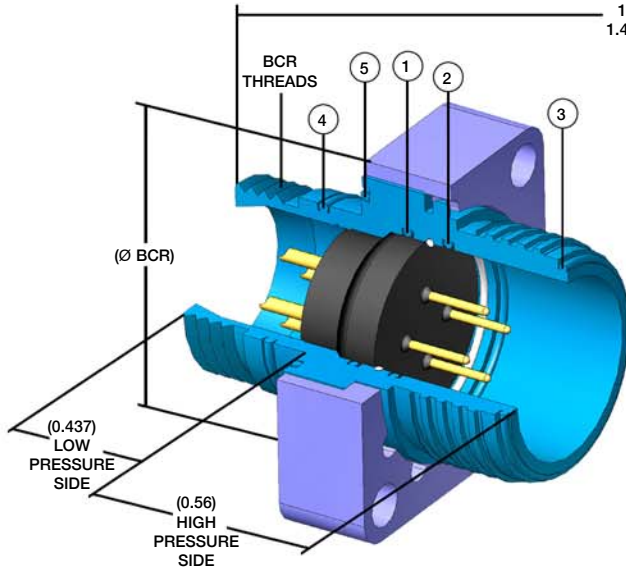


# DIMENSION DETAILS

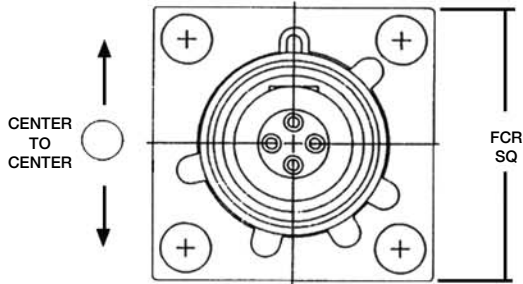
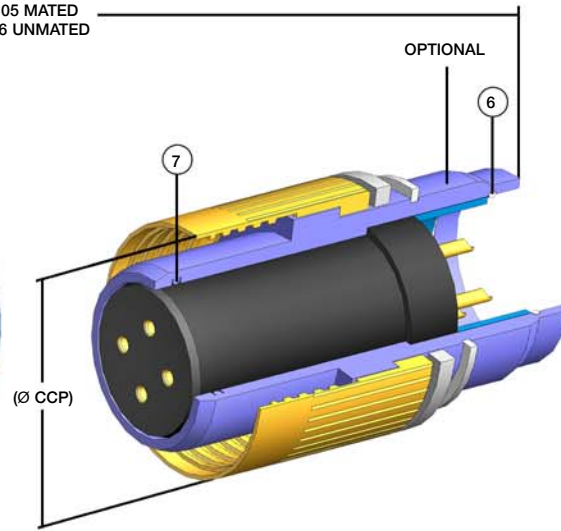
## Micro MINI-CON SERIES MM-BCR

Micro MINI-CON Bulkhead Connector Receptacle  
Mates with MMG-CCP  
Dummy Connector: MMG-DSP



## Micro MINI-CON SERIES MM-CCP

Micro MINI-CON Cable Connector Plug  
Mates with MMG-BCR/FCR/CCR  
Dummy Connector: MMG-DSR



SIZE	OD BCR	OD ENGAGING NUT	FCR SQUARE	BCR THREADS	1 - O-RING	2 - O-RING	3 - O-RING	4 - O-RING	5 - O-RING	6 - O-RING	7 - O-RING	RET RING CCP	RET RING B/F/CCR
G*	0.625	0.500	0.750	0.375-24 UNF	SS-201	SS-301	SS-303	SS-302	SS-404	SS-302	SS-201	MMRR-25	MMRR-25
K*	0.750	0.625	0.875	0.500-20 UNF	SS-301	SS-401	SS-403	SS-402	SS-601	SS-402	SS-301	MMRR-35	MMRR-35
L*	0.875	0.750	1.000	0.593-18 UNF	SS-401	SS-501	SS-503	SS-502	SS-702	SS-502	SS-401	MMRR-45	MMRR-45
M	1.000	0.875	1.125	0.687-20 UN	SS-602	SS-602	SS-603	SS-602	SS-801	SS-701	SS-501	MMRR-61	MMRR-64

\* Reverse load; insert loaded from the low pressure side as shown in drawing above.  
All other insert sizes are loaded from the high pressure side.