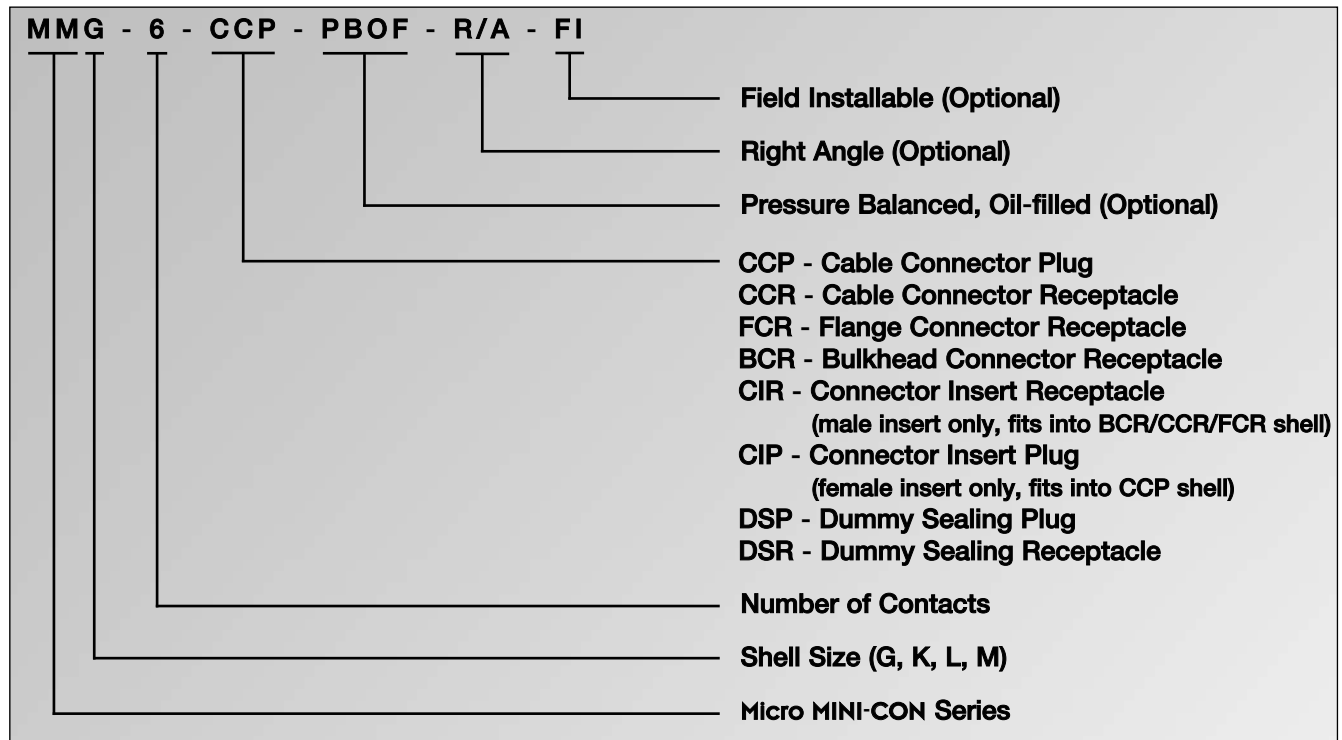


MICRO MINI-CON SERIES

PART NUMBER SYSTEM

EXAMPLE:



GENERAL INFORMATION

COMPONENT	MATERIAL
BULKHEAD BODY* (BCR/FCR)	Ti6A14V
CCP BODY	Ti6A14V c/w Ti Grade 2 Engaging Nut
CONTACT INSERT	Glass Filled Epoxy MIL-G-24325
ELECTRICAL CONTACT	Copper Alloy Gold Plated per MIL-G-45204
O-RINGS	Nitrile (formerly known as Buna N)

CATEGORY	VALUE
OPEN FACE PRESSURE	3,000 psi (inserted prepared)
MATED PRESSURE	Up to 13,500 psi mated and potted
VOLTAGE RATING	300 VDC although higher voltage ratings are available. Please contact SEA CON® for further information
CURRENT RATING	Upto 4 amps dependent on contact size and cable

OPTIONS

Pressure Balanced Oil Filled (PBOF).
Higher Voltages.
Available in alternative materials.
Glass sealed CIR design available.