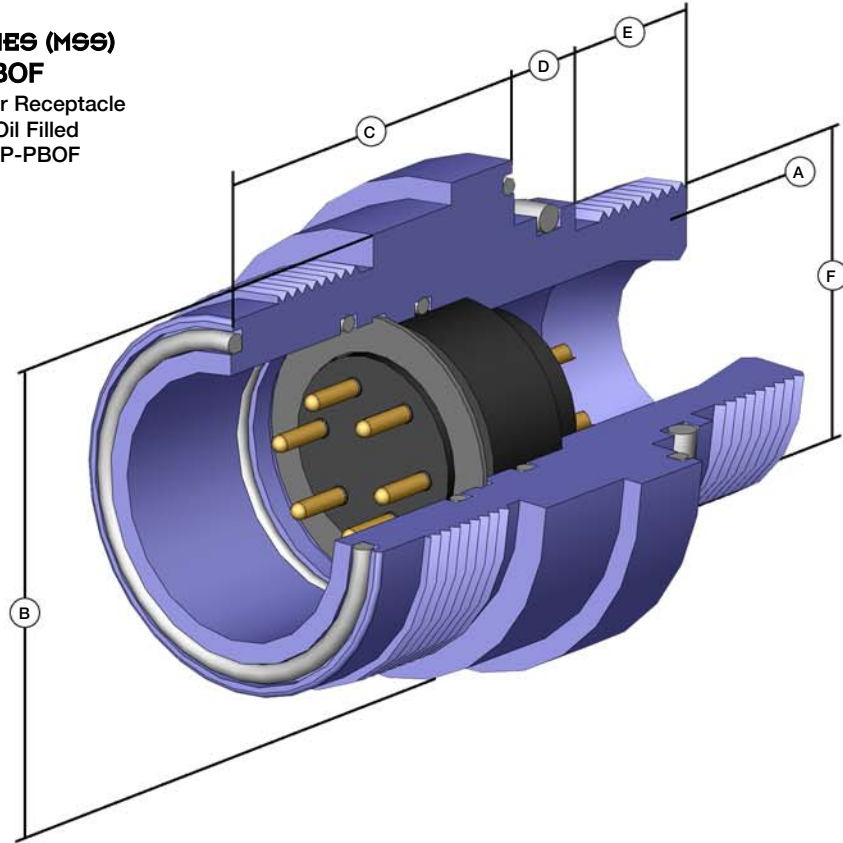


# D I M E N S I O N   D E T A I L S

## METAL SHELL SERIES (MSS) MSS-BCR-PBOF

MSS Bulkhead Connector Receptacle  
Pressure Balanced Oil Filled  
Mates with MSS-CCP-PBOF



### NOTES:

The short pin in the CCP contact insert opens the check valve in the CCP assembly when mated, thus accomplishing complete pressure balancing, completely eliminating the pistoning effect of conductors during pressurization.

Tubing stems are designed to fit standard tubing sizes.

### Pressure Balanced Oil Filled Series

The unique valve assembly allows oil into the connector interface area when mated and seals when unmated.

CONNECTOR	A - THREAD	B - DIAMETER (INCHES)	C - LENGTH (INCHES)	D - LENGTH (INCHES)	E - LENGTH (INCHES)	F - DIAMETER (INCHES)
MSSK-BCR-PBOF*	1-1/4NS-2A	1.87	2.0	0.375	1.00	1.060
MSSL-BCR-PBOF	1-1/4-12 UN-2A	2.12	2.0	0.375	1.00	1.310
MSSM-BCR-PBOF	1-3/4-12 UN-2A	2.75	2.25	0.500	0.870	1.997
MSSO-BCR-PBOF	2-1/4-12 UN-2A	3.50	2.25	0.500	1.250	2.497
MSSP-BCR-PBOF	2-1/2-12 UN-2A	3.75	2.25	0.500	1.500	2.747
MSSQ-BCR-PBOF	2-3/4-12 UN-2A	4.50	2.25	0.750	1.750	3.122

\* These parts are standard and require no set-up charge.

Parts where no asterix appears may require set-up charges and have longer deliveries.

Refer to pages 11-18 for available contact configurations.

### SPECIFICATION:

- BODY MATERIAL: 316 Stainless Steel.
- INSERT: Glass Reinforced Epoxy.
- CONTACTS: Brass, gold plated.
- PRESSURE RATING: 7,500 psi (2,500 psi or more requires the BCR to be back potted or pressure balanced on solder cup side of insert).