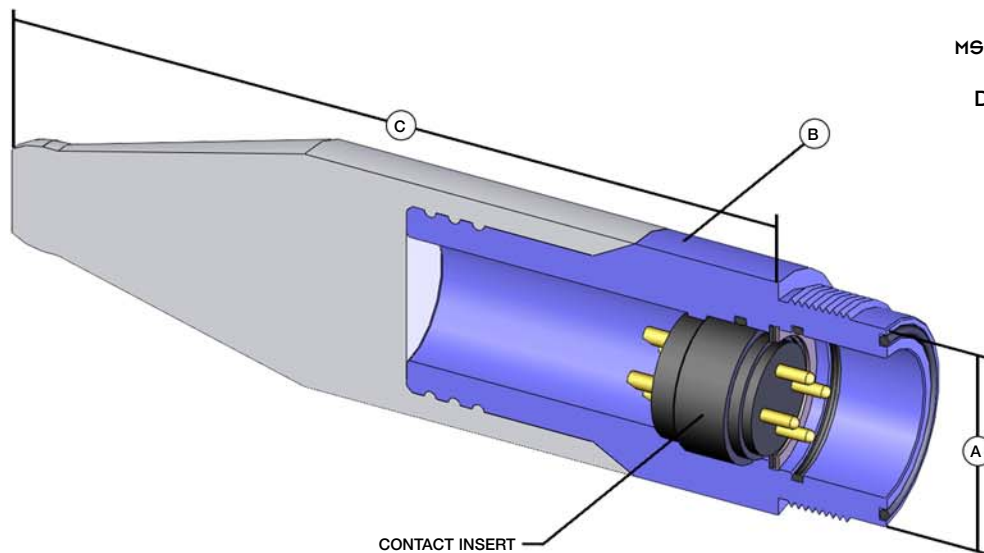


DIMENSION DETAILS

METAL SHELL SERIES (MSS) MSS-CCR

INLINE RECEPTACLE
MSS Cable Connector Receptacle
Mates with MSS-CCP
Dummy Connector: MSS-DSP



G, K, L, M sizes have round keyway. O, P and Q have square keyway. Refer to pages 11-16 for contact configurations. G, K, L, M Aluminum connectors will not mate with Stainless Steel connectors.

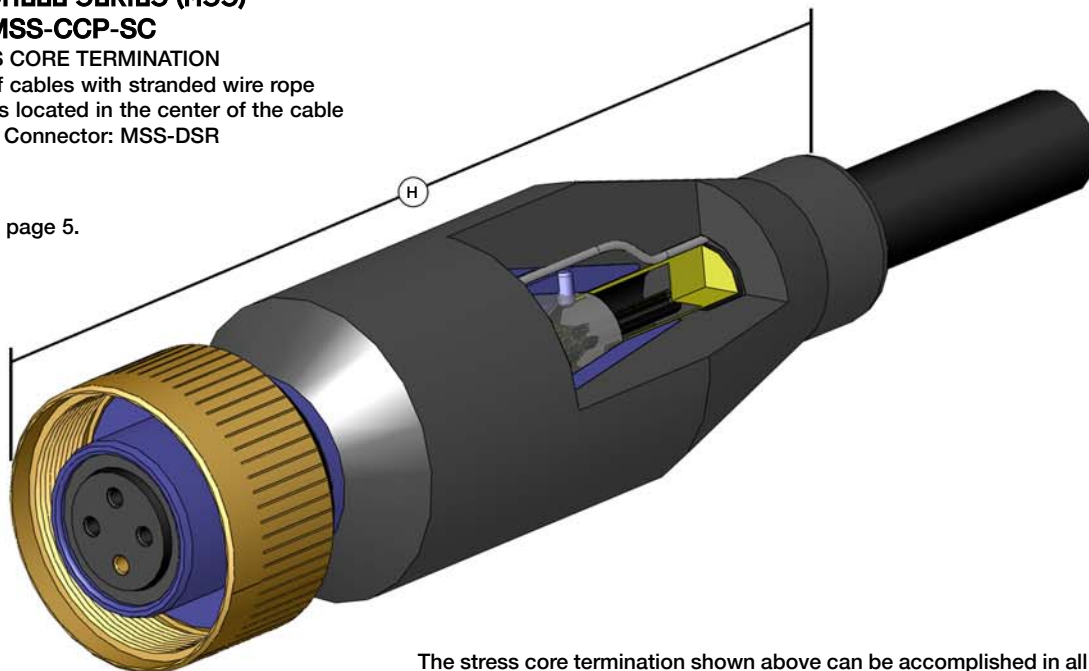
PART DESCRIPTION	CONNECTOR SIZE						
	G	K	L	M	O	P	Q
A - DIAMETER	1.37	1.87	2.12	2.50	3.00	3.25	3.87
B - WRENCH FLAT	1.118	1.62	1.87	2.25	2.75	3.00	3.62
C - LENGTH	5.5	6.7	7.0	9.5	10.0	11.5	12.0

METAL SHELL SERIES (MSS) MSS-CCP-SC

STRESS CORE TERMINATION

For termination of cables with stranded wire rope mechanical members located in the center of the cable
Dummy Connector: MSS-DSR

H - Refer to chart on page 5.



The stress core termination shown above can be accomplished in all the MSS Series sizes with the exception of the MSS-G.

This type of termination will develop the full breaking strength of the electro mechanical cable.

Strength is carried through CCP coupling nut and BCTR or CCR threads. Connector bodies do not come molded to cables unless so specified when ordering.

NOTE:

For MSS-S connector details please contact SEA CON®.