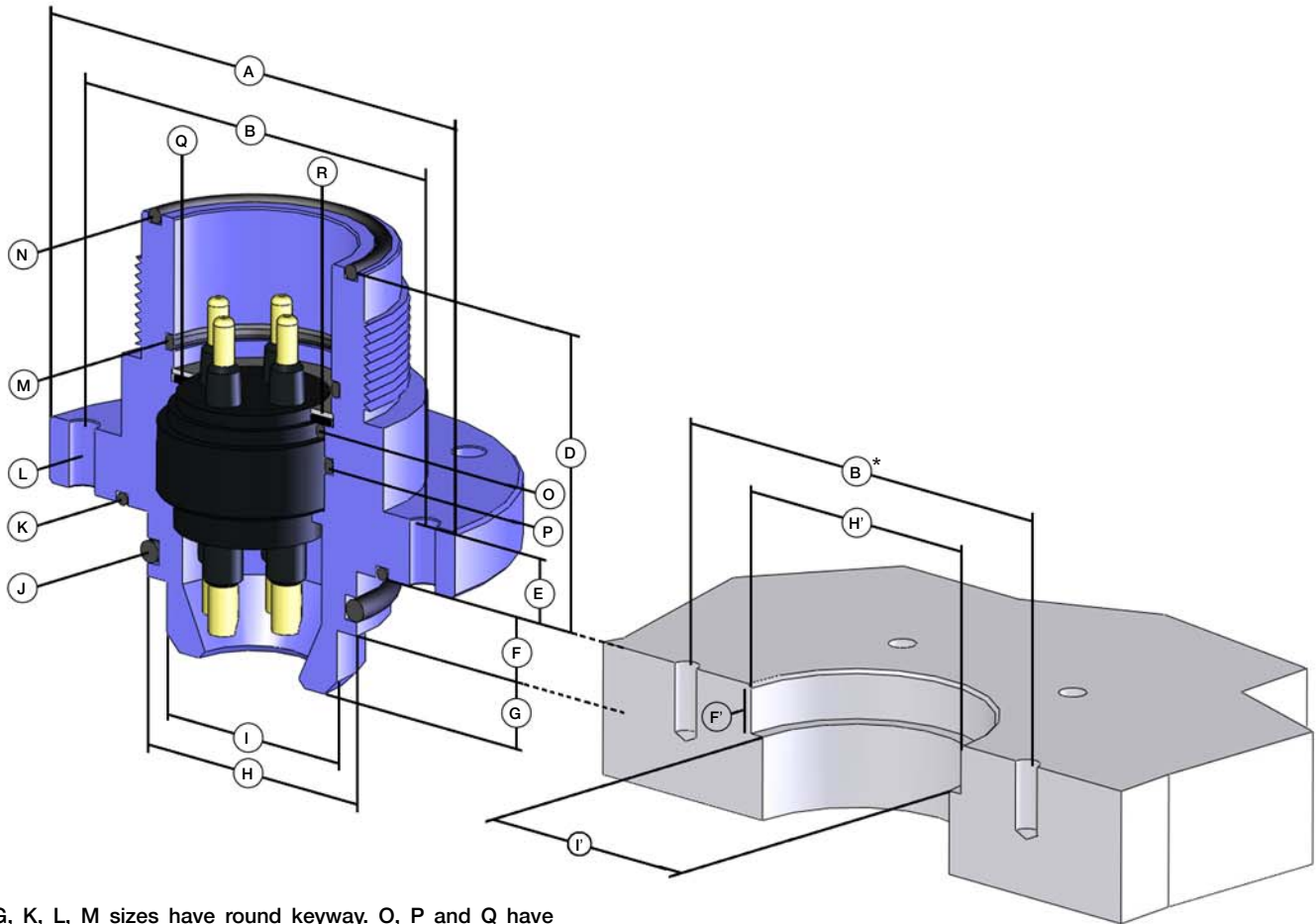


DIMENSION DETAILS

METAL SHELL SERIES (MSS) MSS-FCR

MSS Flange Connector Receptacle
Mates with CCP
Dummy Connector: MSS-DSP



G, K, L, M sizes have round keyway. O, P and Q have square keyway. However, with the Aluminum option all sizes have a square keyway. Refer to page pages 11-16 for contact configurations. G, K, L, M Aluminum connectors will not mate with Stainless Steel connectors.

G, K, L, M, sizes have round keyway. O, P, and Q have square keyway.

NOTE: * 6 holes equally spaced.

PART DESCRIPTION	CONNECTOR SIZE						
	G	K	L	M	O	P	Q
A - DIAMETER	2.12	2.62	3.00	3.87	4.50	4.75	5.25
B - HOLE CIRCLE	1.812	2.250	2.500	3.250	3.875	4.125	4.625
D - HEIGHT	1.68	2.00	2.00	2.26	2.26	2.26	2.26
E - HEIGHT	0.37	0.37	0.38	0.51	0.51	0.51	0.51
F - HEIGHT	0.37	0.37	0.37	0.48	0.48	0.48	0.75
G - HEIGHT	0.26	0.38	0.38	0.50	0.50	0.50	0.74
H - DIAMETER	0.810 max	1.060 max	1.310 max	1.997 max	2.497 max	2.747 max	3.122 max
I - DIAMETER	0.68	0.87	1.12	1.62	2.12	2.37	2.75
J - O-RING	2 - 017	2 - 021	2 - 122	2 - 224	2 - 228	2 - 230	2 - 233
K - O-RING	2 - 023	2 - 029	2 - 131	2 - 142	2 - 234	2 - 236	2 - 240
L - BOLT SIZE	3 / 16"	3 / 16"	1 / 4"	1 / 4"	3 / 8"	3 / 8"	3 / 8"
M - O-RING	2 - 016	2 - 23 - 70	2 - 027	2 - 128	2 - 225	2 - 227	2 - 230
N - O-RING	2 - 020	2 - 27 - 70	5 - 320	2 - 132	2 - 140	2 - 144	2 - 151
O - O-RING	NONE	2 - 18	2 - 022	2 - 123	2 - 131	2 - 135	2 - 141
P - O-RING	2 - 016	2 - 118	2 - 122	2 - 126	2 - 225	2 - 227	2 - 230
Q - WASHER	NONE	77 - 1 - 274	77 - 1 - 374	77 - 1 - 474	77 - 1 - 574	77 - 1 - 674	77 - 1 - 774
R - SPIROLOX RING	UR - 62	UR - 106	UR - 131	UR - 150	UR - 187	UR - 212	UR - 250

MOUNTING DIMENSIONS

DIMENSIONS IN INCHES

F' - BORE DEPTH MIN	0.385/min	0.385/min	0.385/min	0.520/min	0.520/min	0.520/min	0.770/min
H' - BORE DIAMETER	0.812/0.814	1.062/1.064	1.312/1.314	2.000/2.002	2.500/2.502	2.750/2.752	3.125/3.127
I' - BORE MIN	0.750/min	0.890/min	1.140/min	1.780/min	2.140/min	2.406/min	2.765/min

NOTE:

For MSS-S connector details please contact SEA CON®.