

## PRODUCT DATASHEET

## MMK 12#28-CCP & CCR SPECIAL CONNECTOR



*MMK 12#28-CCP & CCR Special Connector*

### DESCRIPTION

This connector pair was designed to be mounted on a Soldier's helmet and easily blind mated while the helmet is being worn. Due to this fact, a lightweight yet hearty design was critical in order to meet rigorous demands. The device was also designed to be dull in color so as not to reflect light and compromise the soldier's position.

### KEY FEATURES

- Push-on pull-off design with built in latch finger
- Blind mateable both wet and dirty
- Fungus Resistant
- EMI (Electro Magnetic Interference) resistant design
- Lightweight, small, and short
- Large polarization key for blind mating

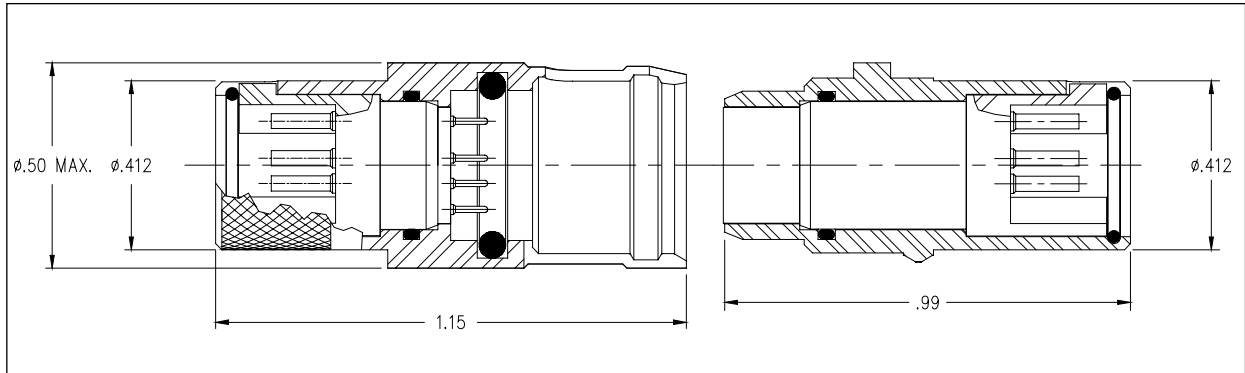
### DESIGN RATINGS & TESTING

- Mated and un-mated over 3,000 times
- Tested to 500 psi
- EMI resistance: 80 dB Max Attenuation for 10 GHZ signal
- Water resistant and tolerant of dirt

### MATERIALS

- Titanium Grade 5 Per ASTM B 348
- Peek (Optional)
- Tiodize per AMS2488, Type II

## PRODUCT DATASHEET

*MMK-12#28-CCP & CCR special connector*

All reasonable efforts have been taken to ensure that the information contained herein is accurate at the date of publication, but no representation or warranty as to the accuracy or completeness of such information is intended or to be implied by its inclusion herein. Any and all representations and warranties pertaining to the information and products referred to herein shall be set forth in SEACON® standard sales order form. In addition, SEACON® reserves the right to make changes to the contents hereof without notice, therefore it is suggested that at the time of inquiry, the appropriate sales office or factory be contacted directly for verification of published specifications and products availability.

© 2011 SEACON®  
ALL RIGHTS RESERVED

SEACON®

1700 Gillespie Way, El Cajon, CA 92020, USA  
TEL: +1 (619) 562 7070 FAX: +1 (619) 562 9706

E-Mail: [sales@seacon-usa.com](mailto:sales@seacon-usa.com) Website: [www.seaconworldwide.com](http://www.seaconworldwide.com)

SEACON-DS-0103  
MMK 12#28-CCP & CCR  
Rev 2