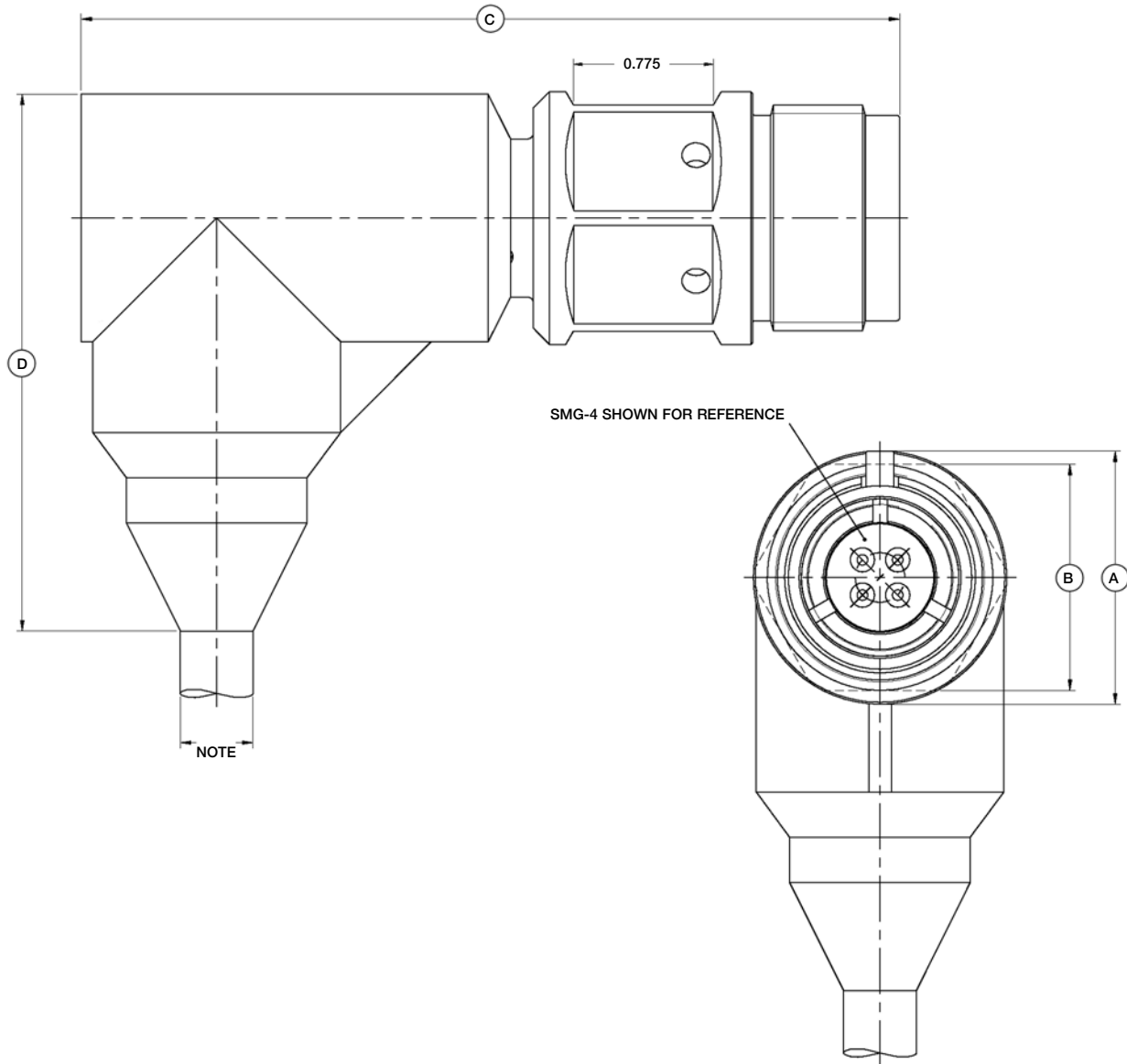


DIMENSION DETAILS

SEA-MATE SERIES SM-CCR-R/A

SEA-MATE Cable Connector Receptacle Right Angle
Mates with SM-CCP
Dummy Connector: SM-DSP



| CONNECTOR | A - Ø (INCHES) | B - Ø (INCHES) | C - LENGTH (INCHES) | D - LENGTH (INCHES) |
|-------------|----------------|----------------|---------------------|---------------------|
| SMG-CCR-R/A | 1.400 | 1.250 | 4.53 | 2.97 |
| SMK-CCR-R/A | 1.775 | 1.625 | 5.03 | 3.17 |
| SML-CCR-R/A | 2.150 | 2.000 | 5.15 | 3.99 |
| SMM-CCR-R/A | 2.525 | 2.375 | 5.28 | 4.87 |

NOTE:
Anixter cable as standard unless otherwise specified.