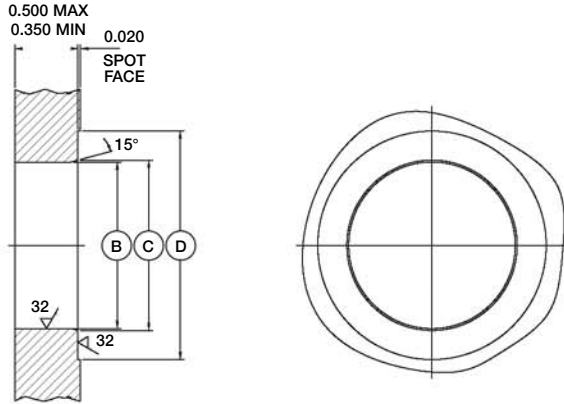


# INTERFACE DETAILS

## SEA-MATE SERIES SM-BCR

SEA-MATE Bulkhead Connector Receptacle  
THROUGH BORE OPTION UTILIZING BACK NUT AND WASHER



BCR INTERFACE THROUGH BORE MOUNTING INFORMATION

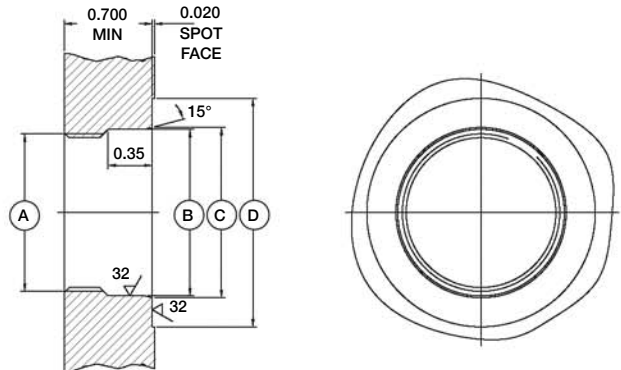
CONNECTOR	B - $\phi$	C - $\phi$	D - SPOTFACE $\phi$
SMG-BCR	0.947 0.949	0.978	1.440
SMK-BCR	1.322 1.324	1.353	1.815
SML-BCR	1.697 1.699	1.728	2.190
SMM-BCR	2.072 2.074	2.107	2.565

## SEA-MATE SERIES SM-BCR

SEA-MATE Bulkhead Connector Receptacle  
THREAD MOUNTING OPTION

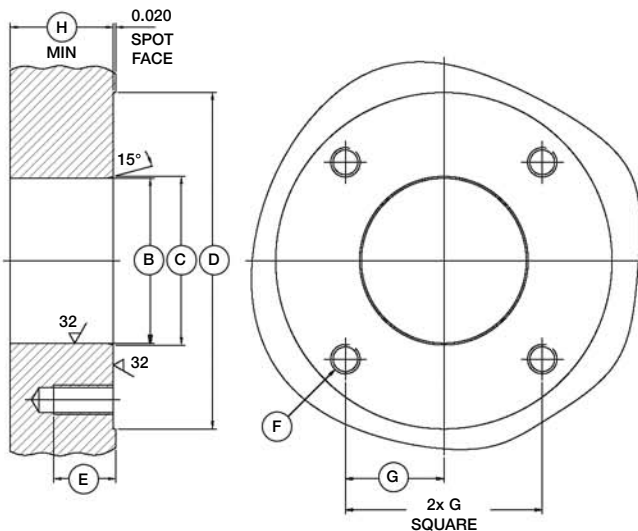
BCR INTERFACE THREAD MOUNTING INFORMATION

CONNECTOR	A - THREAD	B - $\phi$	C - $\phi$	D - $\phi$ SPOT FACE
SMG-BCR	7/8-16 UN 2B	0.947 0.949	0.978	1.440
SMK-BCR	1 1/4-16 UN 2B	1.322 1.324	1.353	1.815
SML-BCR	1 5/8-16 UN 2B	1.697 1.699	1.728	2.190
SMM-BCR	2-16 UN 2B	2.072 2.074	2.107	2.565



## SEA-MATE SERIES SM-FCR

SEA-MATE Flange Connector Receptacle  
THROUGH BORE OPTION



FCR INTERFACE MOUNTING INFORMATION

CONNECTOR	B - $\phi$	C - $\phi$	D - $\phi$ SPOT FACE	E	F - THREAD	G	H
SMG-FCR	0.947 0.949	0.978	2.20	0.30	M5x0.8p	0.635	0.630
SMK-FCR	1.322 1.324	1.353	2.70	0.48	M6x1.0p	0.790	0.830
SML-FCR	1.697 1.699	1.728	3.25	0.48	M6x1.0p	0.975	0.830
SMM-FCR	2.072 2.074	2.107	3.71	0.64	M8x1.25p	1.100	0.990