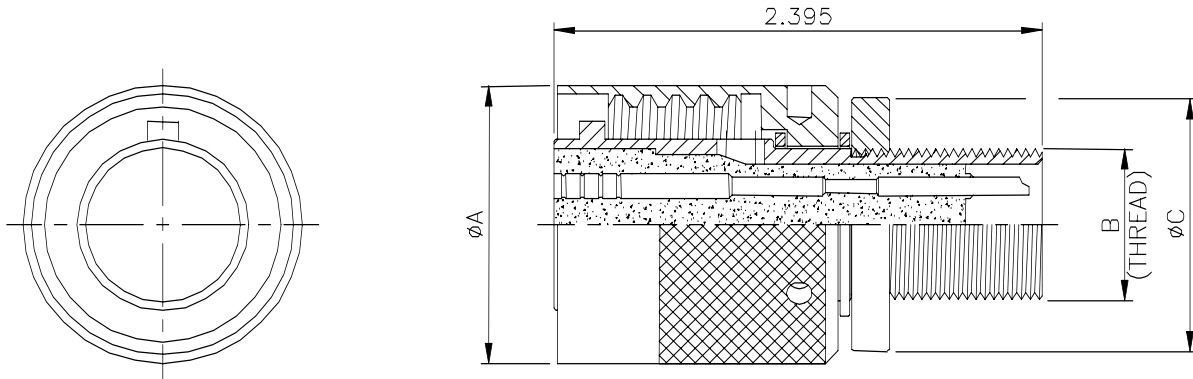


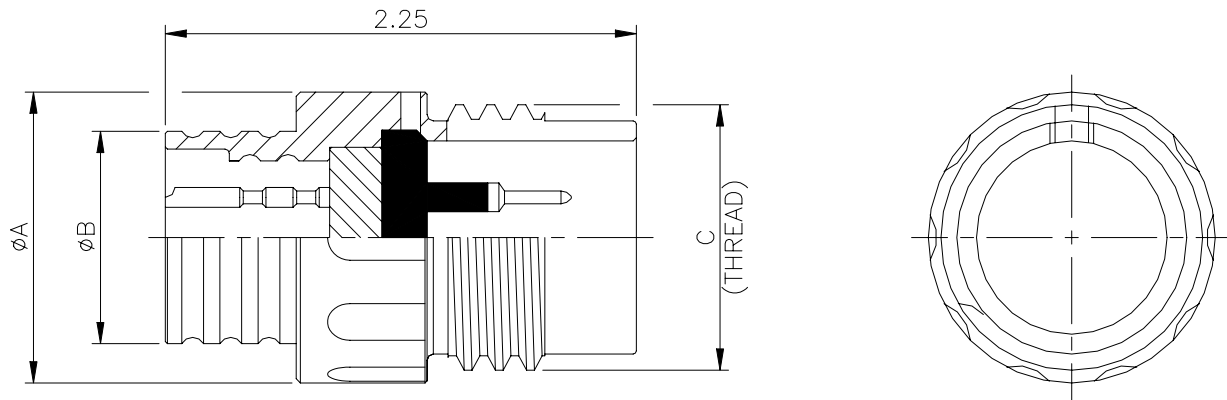
Attachable Connector Details



Cable Connector Plug - Attachable

(CCP / AT)

SHELL SIZE	Ø A	B	Ø C
UMG	1.12	5/8-18 UBF-2A LH	1.00
UMK	1.37	3/4-16 UNF-2A LH	1.25
UML	1.65	1-20 UNEF-2A LH	1.50



Cable Connector Receptacle - Attachable

(CCR / AT)

SHELL SIZE	Ø A	Ø B	C
UMG	1.00	0.85	1-10 ACME-2G
UMK	1.25	1.00	1 1/4-10 ACME-2G
UML	1.50	1.25	1 1/2-10 ACME-2G MODIFIED