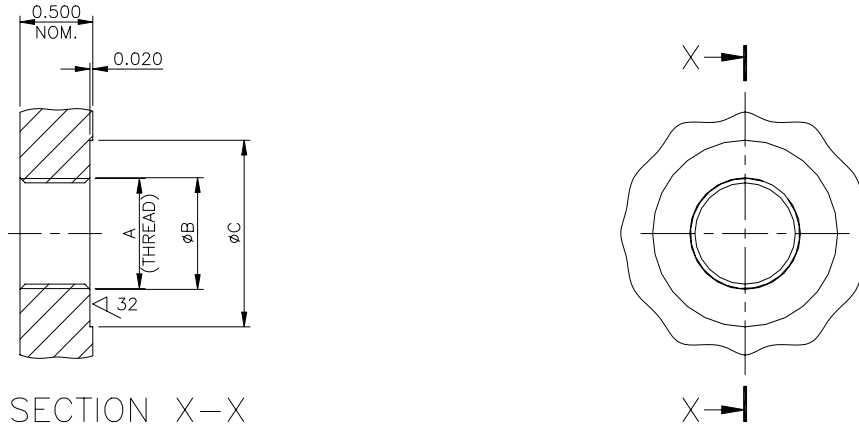
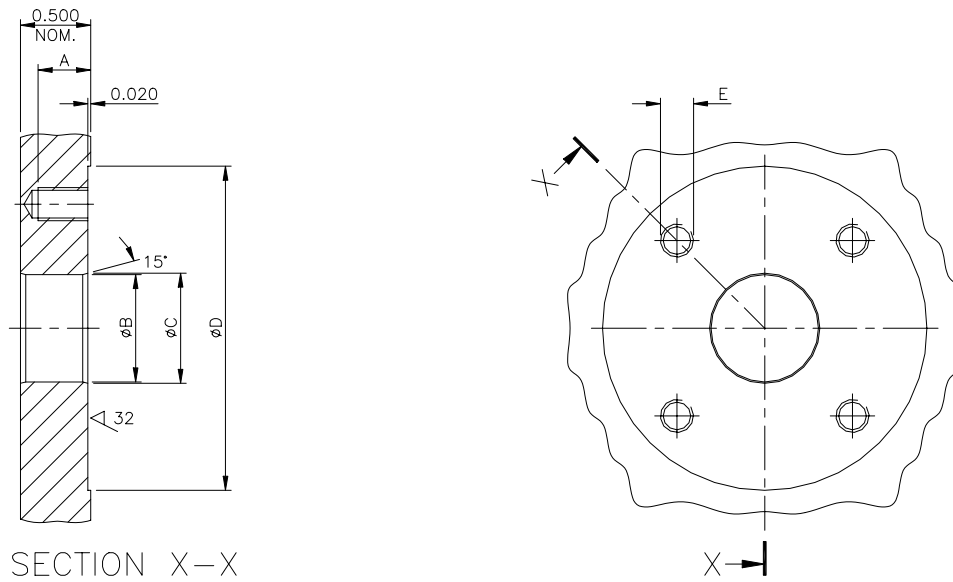


# Interface Details



**Bulkhead Connector Interface**  
(BCR)

| SHELL SIZE | A             | Ø B   | Ø C  |
|------------|---------------|-------|------|
| UMG        | 5/8-18 UNF-2A | 0.645 | 1.02 |
| UMK        | 3/4-16 UNF-2A | 0.77  | 1.27 |
| UML        | 1-14 UNS-2A   | 1.02  | 1.52 |



**Panel Mount Connector Interface**  
(FCR)

| SHELL SIZE | A     | Ø B   | Ø C   | Ø D  | E           |
|------------|-------|-------|-------|------|-------------|
| UMG        | 0.315 | 0.650 | 0.670 | 1.95 | M5 x 0.8 6H |
| UMK        | 0.375 | 0.765 | 0.785 | 2.31 | M6 x 1 6H   |
| UML        | 0.375 | 1.025 | 1.045 | 2.66 | M6 x 1 6H   |