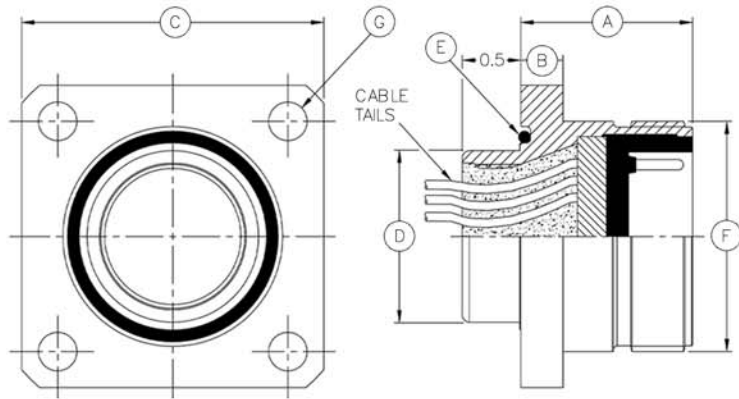
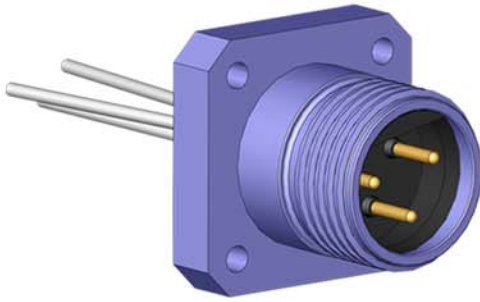


55 SERIES
5506-FCR

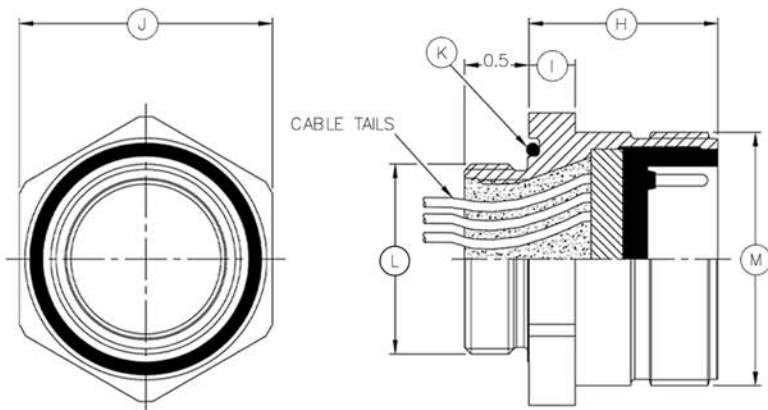
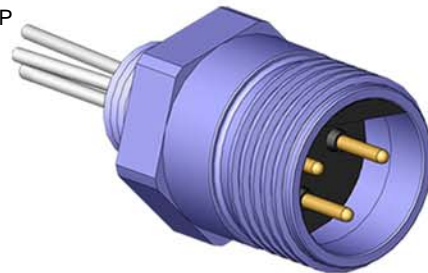
55 SERIES Flange Connector Receptacle
Mates with 55-CCP
Dummy Connector: 55-DSP



CONNECTOR	A - LENGTH (INCHES)	B - LENGTH (INCHES)	C - LENGTH (INCHES)	D - Ø (INCHES)	E - O-RING	F - THREAD	G - MOUNTING HOLE Ø (INCHES)
5506-15	1.25	0.313	1.50	0.625	116	15/16-20 UNEF	0.215
5506-16	1.50	0.375	1.625	0.625	116	1-9 STUB ACME	0.219
5506-20	1.50	0.375	1.75	0.74	118	1 1/4-9 STUB ACME	0.276
5506-24	1.50	0.375	2.00	0.99	122	1 1/2-9 STUB ACME	0.276
5506-32	1.50	0.375	2.625	1.50	130	2-9 STUB ACME	0.335

55 SERIES
5507-BCR

55 SERIES Bulkhead Connector Receptacle
Mates with 55-CCP
Dummy Connector: 55-DSP



CONNECTOR	H - LENGTH (INCHES)	I - LENGTH (INCHES)	J - ACROSS FLATS (INCHES)	K - O-RING	L - THREAD	M - THREAD
5507-15	1.25	0.313	1.12	116	5/8-18 UNF	15/16-20 UNEF
5507-16	1.50	0.375	1.12	116	5/8-18 UNF	1-9 STUB ACME
5507-20	1.50	0.375	1.25	118	3/4-16 UNF	1 1/4-9 STUB ACME
5507-24	1.50	0.375	1.50	122	1-14 UNS	1 1/2-9 STUB ACME
5507-32	1.50	0.375	2.00	130	1 1/2-12 UNF	2-9 STUB ACME