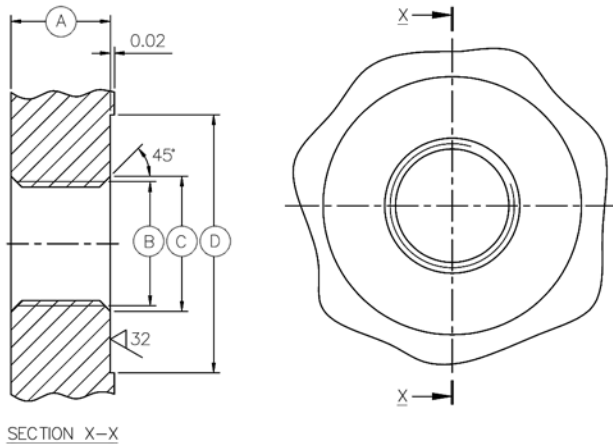


55 SERIES 5507-BCR INTERFACE DETAILS

55 SERIES Bulkhead Connector Receptacle

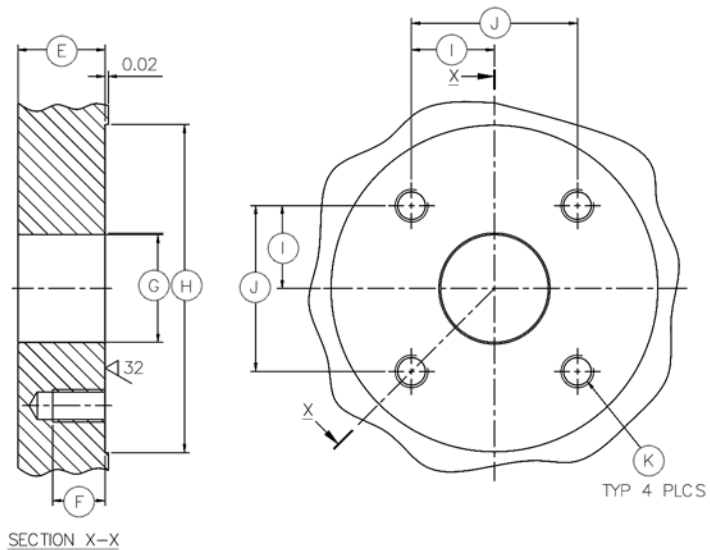


BCR INTERFACE MOUNTING INFORMATION

CONNECTOR	A - MIN LENGTH (INCHES)	B - THREAD	C - Ø (INCHES)	D - MIN Ø (INCHES)
5507-15	0.50	5/8-18 UNF 2B	0.68	1.30
5507-16	0.50	5/8-18 UNF 2B	0.68	1.30
5507-20	0.50	3/4-16 UNF 2B	0.79	1.44
5507-24	0.50	1-14 UNS 2B	1.05	1.73
5507-32	0.50	1 1/2-12 UNF 2B	1.55	2.31

55 SERIES 5506-FCR INTERFACE DETAILS

55 SERIES Flange Connector Receptacle



FCR INTERFACE MOUNTING INFORMATION

CONNECTOR	E - MIN (INCHES)	F - TYPICAL (INCHES)	G - Ø (INCHES)	H - Ø (INCHES)	I - (INCHES)	J - (INCHES)	K - THREAD	RECOMMENDED FIXING SCREW LENGTH
5506-15	0.525	0.315	0.65	1.98	0.50	1.00	M5x0.8p 6H	15mm
5506-16	0.525	0.315	0.65	2.13	0.5625	1.125	M5x0.8p 6H	16mm
5506-20	0.625	0.375	0.77	2.33	0.625	1.25	M6x1.0p 6H	18mm
5506-24	0.625	0.375	1.02	2.655	0.75	1.50	M6x1.0p 6H	18mm
5506-32	0.825	0.50	1.52	3.53	1.00	2.00	M8x1.25p 6H	20mm