

# SEACON<sup>®</sup>

UNDERWATER ELECTRICAL AND FIBER OPTIC CONNECTORS



## 55 & 66 SERIES

UNDERWATER ELECTRICAL DRY-MATE CONNECTORS



MANAGEMENT SYSTEM APPROVED IN ACCORDANCE WITH ISO 9001.



**S E A C O N**®



# 55 SERIES

---

UNDERWATER ELECTRICAL DRY-MATE CONNECTORS

SECTION	PAGE
<b>55 SERIES</b>	
Introduction .....	55 SERIES 3
Availability .....	55 SERIES 3
Applications.....	55 SERIES 3
Testing .....	55 SERIES 3
Special Assemblies .....	55 SERIES 3
Part Number System .....	55 SERIES 3
General Information.....	55 SERIES 3
Dimension Details:	
5501-CCP .....	55 SERIES 4
5502-CCR .....	55 SERIES 4
5506-FCR .....	55 SERIES 5
5507-BCR .....	55 SERIES 5
55A1-CCP .....	55 SERIES 6
55A1-OF-ST CCP .....	55 SERIES 6
55A1-OF-R/A CCP .....	55 SERIES 7
55A2-CCR .....	55 SERIES 7
55R1-CCP .....	55 SERIES 8
55R2-CCR .....	55 SERIES 8
Interface Details:	
5507-BCR .....	55 SERIES 9
5506-FCR .....	55 SERIES 9
Contact Configurations .....	55 SERIES 10
<b>66 SERIES SECTION</b> .....	<b>66 SERIES 1-7</b>

**INTRODUCTION**

The SEA CON® 55 SERIES of underwater electrical dry-mate connectors contain significant design improvements over other industry standard connectors, whilst maintaining compatibility and interchangeability with them. This connector range is also available in PEEK (Polyetheretherketone) which was selected for its superior chemical resistance, excellent electrical properties, wear and abrasion resistance and light weight. This PEEK series of connectors are not affected by corrosion or cathodic delamination.

Key features include:-

- Industry Standard Compatibility
- Proven Sealing Technology
- Heavy Duty Stub Acme Threads (except shell size 15)
- Pressure Rated Blanking Caps available

**AVAILABILITY**

Pressure rated to 10,000 psi (22,500ft/7,000m), the 55 SERIES is available in 5 shell sizes with up to 24 contacts with PBOF (Pressure Balanced Oil Filled) options. Manufactured from 316L Stainless Steel as standard, other materials are also available upon request including Titanium, Aluminium Bronze and Alloy 625.

**APPLICATIONS**

This connector range is suitable for a variety of applications including ROV's, underwater cameras, diver communications, lights and pan and tilts.

**TESTING**

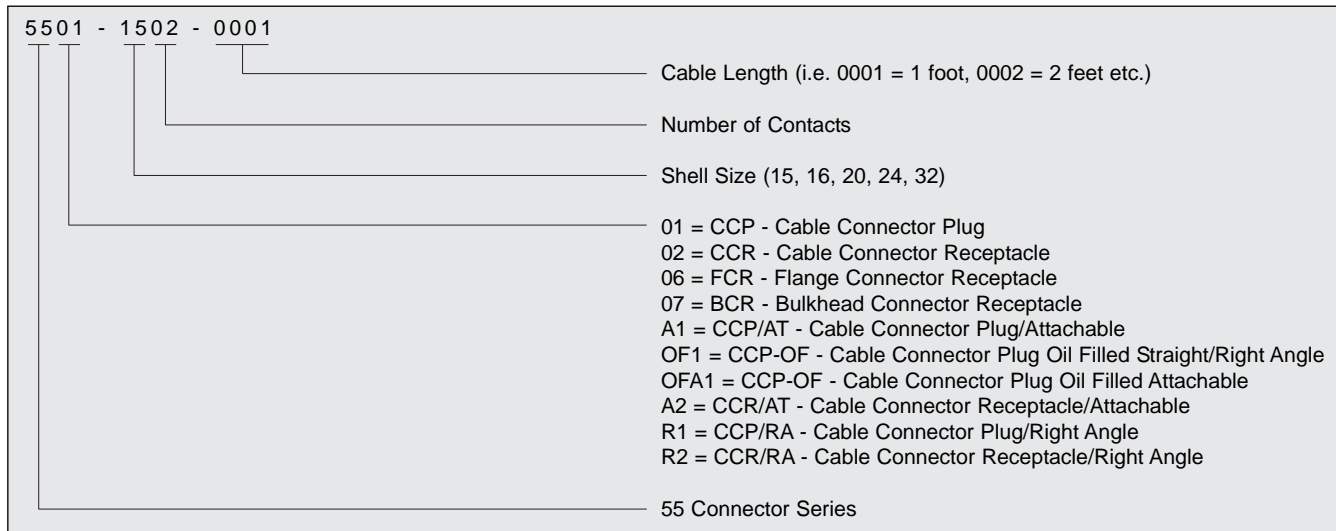
Please contact SEA CON® for details.

**SPECIAL ASSEMBLIES**

SEA CON® maintains all facilities necessary to furnish complete underwater and environmental electrical connector/cable systems, including Research and Development, Engineering, Manufacturing, Quality Control and Pressure Testing. As well as supplying our standard 'off-the-shelf' items, we have the capability to design and manufacture **SPECIAL CUSTOMIZED CONNECTORS AND CABLE ASSEMBLIES** to suit your individual needs. SEA CON® also prides itself with the ability to perform stringent quality conformance testing procedures which are in accordance with the MIL-SPEC programs.

Please contact SEA CON® for further information

**PART NUMBER SYSTEM - EXAMPLE**



**GENERAL INFORMATION**

COMPONENT	MATERIAL
<b>CONNECTOR SHELL</b> STANDARD: OPTIONAL:	316L Stainless Steel electro polished. Titanium, Aluminium Bronze, Alloy 625 & PEEK. Others available upon request.
<b>ENGAGING NUT</b> STANDARD: OPTIONAL:	316L Stainless Steel coated with a special anti-galling compound. Titanium, Aluminium Bronze & Alloy 625. Others available upon request.
<b>ELECTRICAL CONTACTS</b>	Copper Alloy and gold plated per MIL-G-45204.
<b>CONNECTOR BODY</b> STANDARD: OPTIONAL:	Neoprene. Nitrile, Hypalon. Others available upon request.
<b>OVERMOULD (STANDARD)</b>	Neoprene, Nitrile, Hypalon. Others available upon request.
<b>CABLE</b> STANDARD: OPTIONAL:	Neoprene. Polyurethane & Polyethylene. Others available upon request.
<b>BULKHEAD TAILS</b>	P.T.F.E insulated #16 AWG. Others available upon request. Please contact SEA CON®.

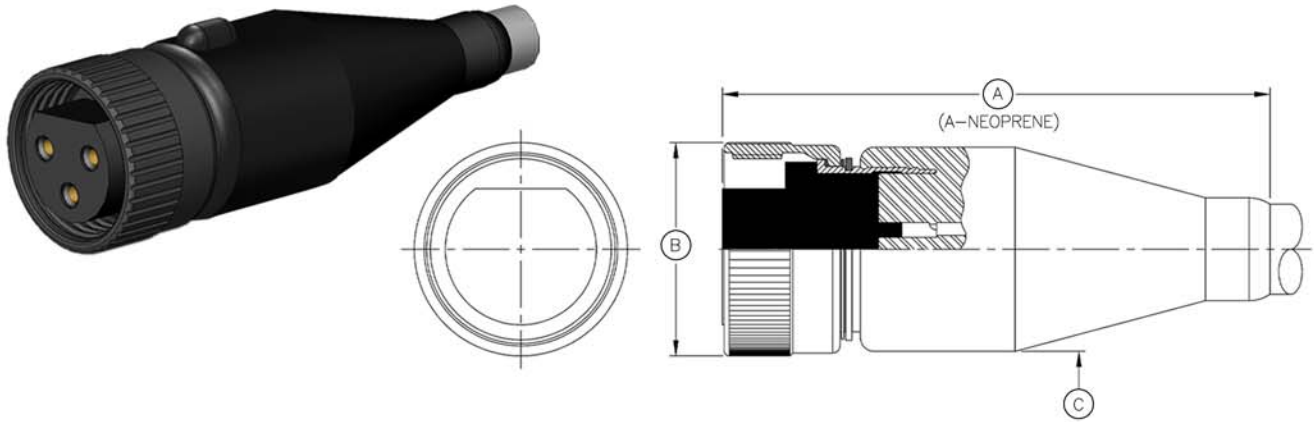
CATEGORY	VALUE
<b>PRESSURE</b>	10,000 psi mated and un-mated.
<b>VOLTAGE RATING (STANDARD)</b>	600 VDC/440 VAC. Contact SEA CON® for higher ratings.
<b>CURRENT (MAXIMUM)</b>	5 to 18 amps dependant on contact and cable conductor size.
<b>BULKHEAD MOUNTING TORQUE</b>	15 shell size = 125 inch/lbs.* 16 shell size = 125 inch/lbs.* 20 shell size = 165 inch/lbs.* 24 shell size = 225 inch/lbs.* 32 shell size = 325 inch/lbs.*
<b>MATING CYCLES</b>	500.

**NOTES:**

- Dummy connectors are available. Please contact SEA CON® for details.
- \* Torque values refers to installation into dry metal threads.

**55 SERIES  
5501-CCP**

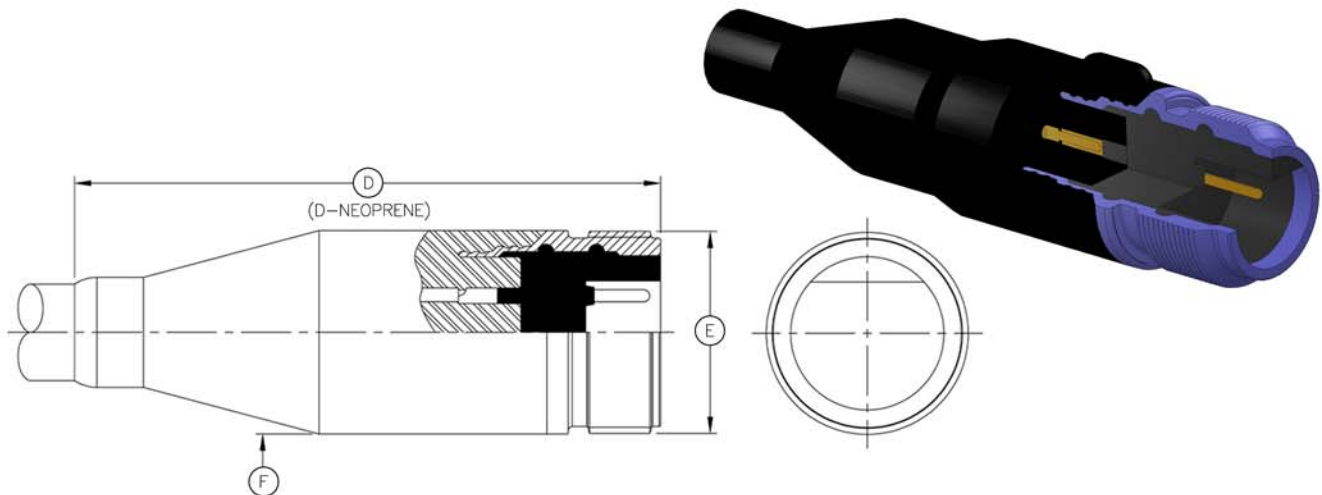
55 SERIES Cable Connector Plug  
Mates with 55-BCR/CCR/FCR  
Dummy Connector: 55-DSR



CONNECTOR	A - (INCHES)	A - NEOPRENE (INCHES)	B - Ø (INCHES)	C - Ø (INCHES)
5501-15	3.67	2.56	1.07	1.00
5501-16	3.67	2.56	1.17	1.125
5501-20	4.75	3.90	1.45	1.38
5501-24	5.38	3.76	1.70	1.64
5501-32	7.12	7.12	2.23	1.98

**55 SERIES  
5502-CCR**

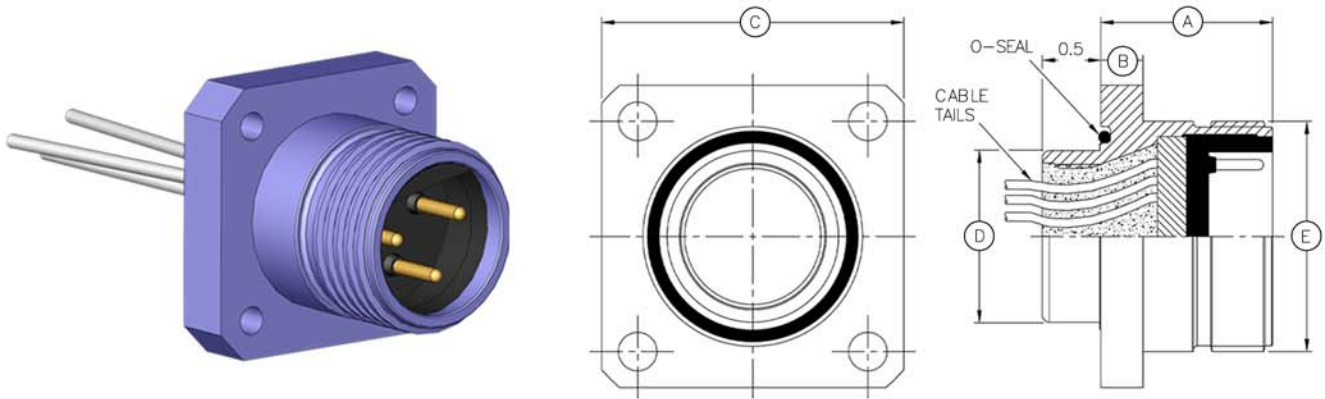
55 SERIES Cable Connector Receptacle  
Mates with 55-CCP  
Dummy Connector: 55-DSP



CONNECTOR	D - (INCHES)	D - NEOPRENE (INCHES)	E - THREAD	F - Ø (INCHES)
5502-15	3.37	2.62	15/16-20 UNEF	1.00
5502-16	T.B.A.	T.B.A.	T.B.A.	T.B.A.
5502-20	4.95	4.10	1 1/4-9 STUB ACME	1.38
5502-24	5.58	3.96	1 1/2-9 STUB ACME	1.64
5502-32	7.12	7.32	2-9 STUB ACME	1.98

**55 SERIES**  
**5506-FCR**

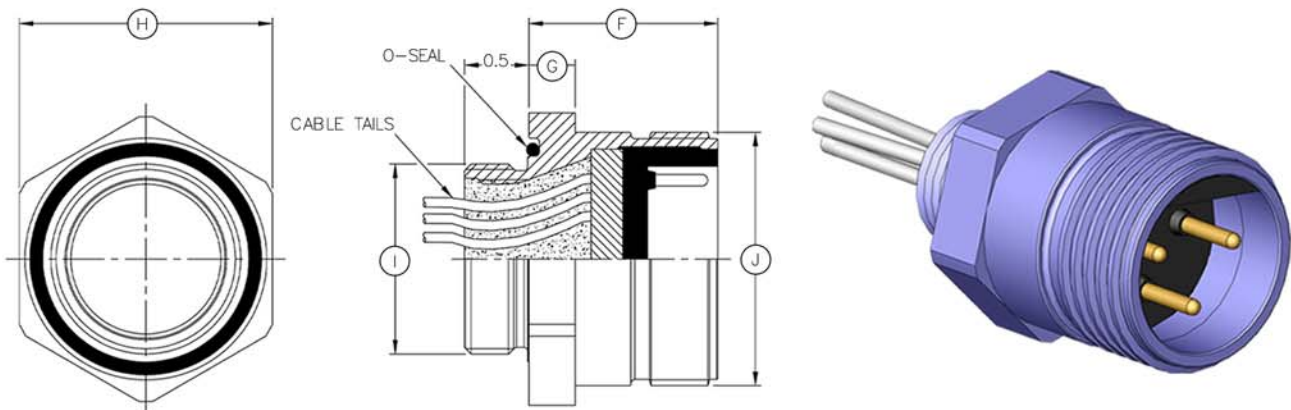
55 SERIES Flange Connector Receptacle  
Mates with 55-CCP  
Dummy Connector: 55-DSP



CONNECTOR	A - (INCHES)	B - (INCHES)	C - (INCHES)	D - Ø (INCHES)	E - THREAD
5506-15	1.25	0.313	1.50	0.625	15/16-20 UNEF
5506-16	1.50	0.375	1.625	0.625	1-9 STUB ACME
5506-20	1.50	0.375	1.75	0.74	1 1/4-9 STUB ACME
5506-24	1.50	0.375	2.00	0.99	1 1/2-9 STUB ACME
5506-32	1.50	0.375	2.625	1.50	2-9 STUB ACME

**55 SERIES**  
**5507-BCR**

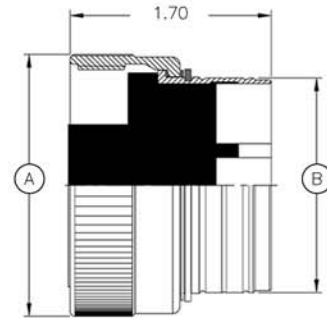
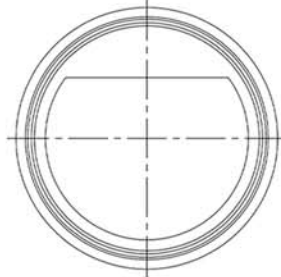
55 SERIES Bulkhead Connector Receptacle  
Mates with 55-CCP  
Dummy Connector: 55-DSP



CONNECTOR	F - (INCHES)	G - (INCHES)	H - ACROSS FLATS (INCHES)	I - THREAD	J - THREAD
5507-15	1.25	0.313	1.12	5/8-18 UNF	15/16-20 UNEF
5507-16	1.50	0.375	1.12	5/8-18 UNF	1-9 STUB ACME
5507-20	1.50	0.375	1.25	3/4 - 16 UNF	1 1/4-9 STUB ACME
5507-24	1.50	0.375	1.50	1 - 14 UNS	1 1/2-9 STUB ACME
5507-32	1.50	0.375	2.00	1 1/2 - 12 UNF	2-9 STUB ACME

**55 SERIES**  
**55A1-CCP/AT**

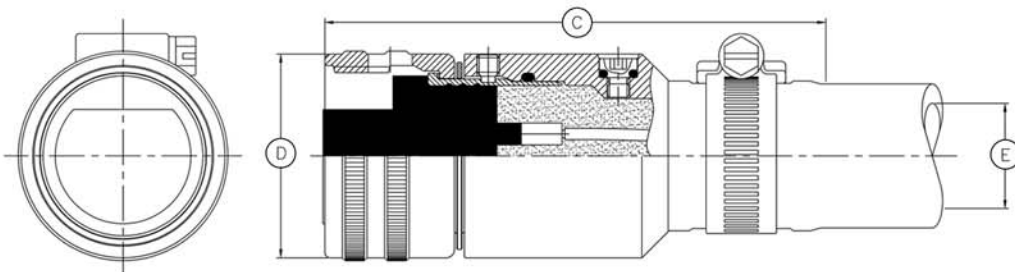
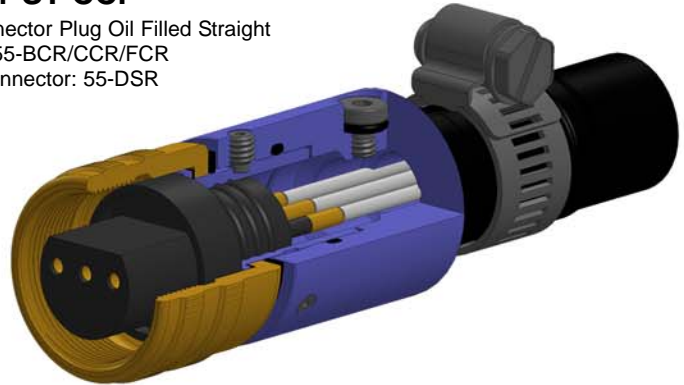
55 SERIES Cable Connector Plug Attachable  
Mates with 55-BCR/CCR/FCR  
Dummy Connector: 55-DSR



CONNECTOR	A - Ø (INCHES)	B - Ø (INCHES)
55A1-15	1.08	0.69
55A1-16	1.17	0.813
55A1-20	1.45	1.085
55A1-24	1.70	1.30
55A1-32	2.23	1.81

**55 SERIES**  
**55OF1-ST-CCP**

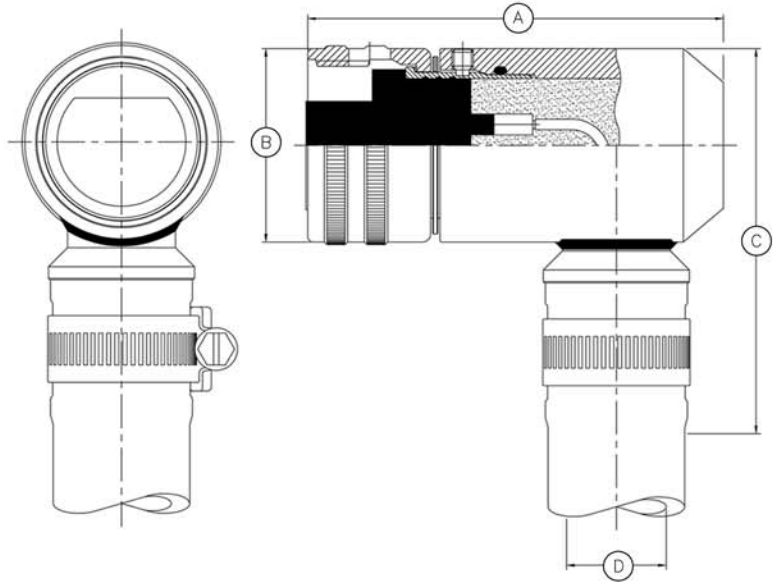
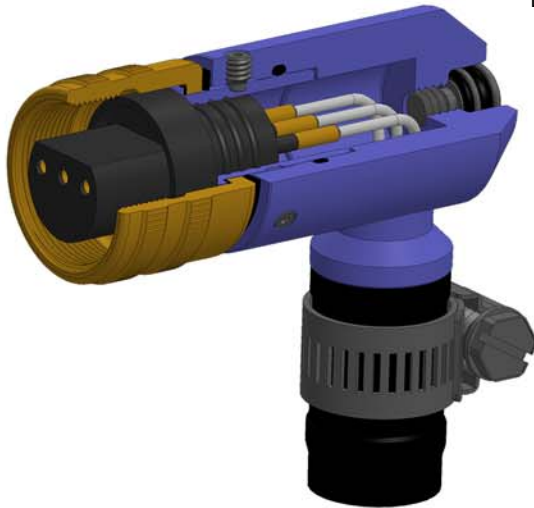
55 SERIES Cable Connector Plug Oil Filled Straight  
Mates with 55-BCR/CCR/FCR  
Dummy Connector: 55-DSR



CONNECTOR	C - (INCHES)	D - Ø (INCHES)	E - Ø HOSE (INCHES)
55OF1-15	3.56	1.102	0.50
55OF1-20	3.56	1.450	0.75
55OF1-24	3.69	1.670	0.75

**55 SERIES**  
**55OF1-R/A-CCP**

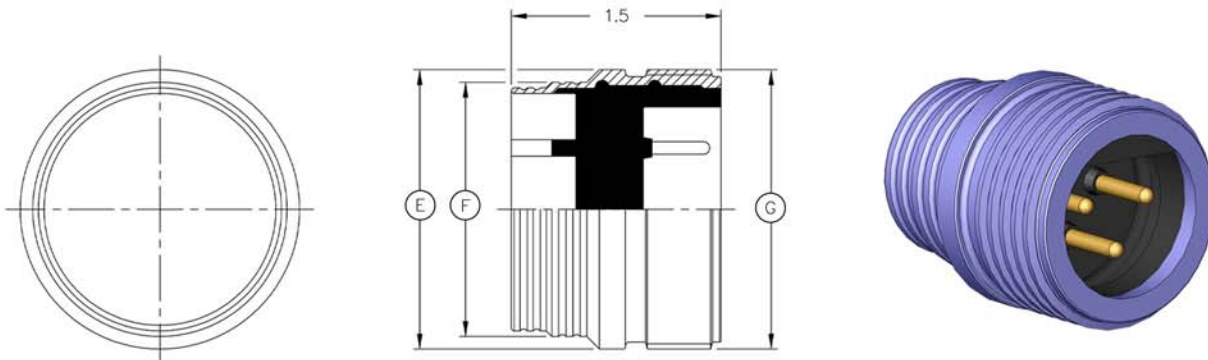
55 SERIES Cable Connector Plug Oil Filled Right Angle  
Mates with 55-BCR/CCR/FCR  
Dummy Connector: 55-DSR



CONNECTOR	A - (INCHES)	B - Ø (INCHES)	C - (INCHES)	D - Ø HOSE (INCHES)
55OF1-15	2.86	1.102	2.53	0.50
55OF1-20	3.12	1.450	2.88	0.75
55OF1-24	3.12	1.670	3.10	0.75

**55 SERIES**  
**55A2-CCR**

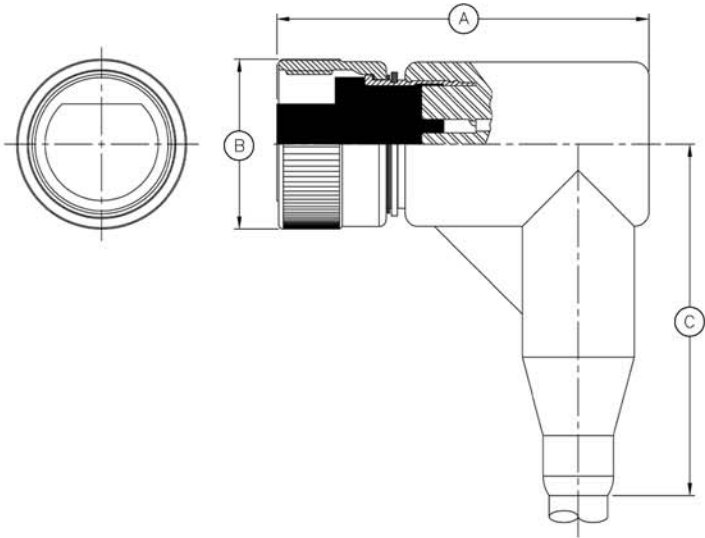
55 SERIES Cable Connector Receptacle/Attachable  
Mates with 55-CCP  
Dummy Connector: 55-DSP



CONNECTOR	E - Ø (INCHES)	F - Øm(INCHES)	G - THREAD
55A2-15	1.00	0.77	15/16-20 UNEF
55A2-16	T.B.A.	T.B.A.	T.B.A.
55A2-20	1.25	1.02	1 1/4-9 STUB ACME
55A2-24	1.50	1.28	1 1/2-9 STUB ACME
55A2-32	2.00	1.82	2-9 STUB ACME

**55 SERIES**  
**55R1-CCP**

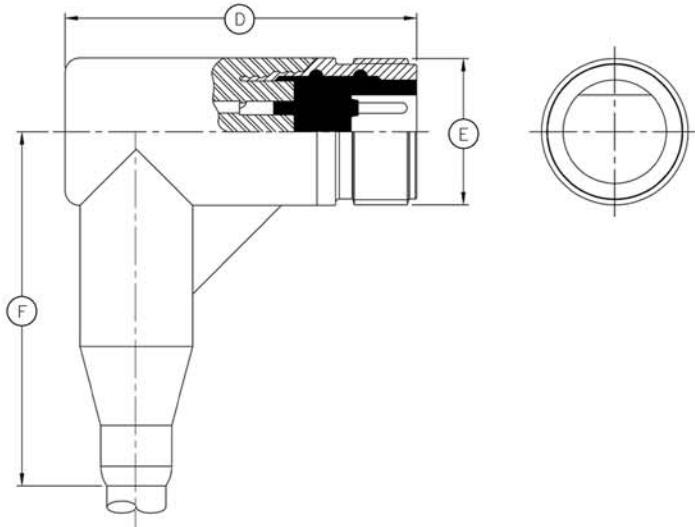
55 SERIES Cable Connector Plug/Right Angle  
Mates with 55-BCR/CCR/FCR  
Dummy Connector: 55-DSR



CONNECTOR	A - (INCHES)	B - Ø (INCHES)	C - (INCHES)
55R1-15	2.91	1.08	2.63
55R1-16	2.91	1.17	2.63
55R1-20	3.16	1.45	3.42
55R1-24	3.42	1.70	3.84
55R1-32	3.63	2.23	4.85

**55 SERIES**  
**55R2-CCR**

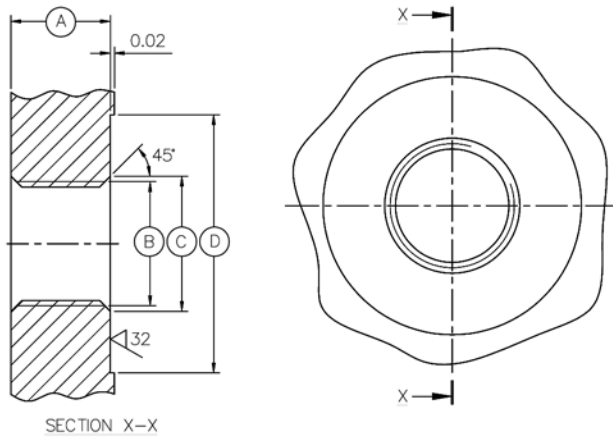
55 SERIES Cable Connector Receptacle/Right Angle  
Mates with 55-CCP  
Dummy Connector: 55-DSP



CONNECTOR	D - (INCHES)	E - THREAD	F - (INCHES)
55R2-15	2.52	15/16-20 UNEF	2.63
55R2-16	2.52	1-9 STUB ACME	2.63
55R2-20	3.48	1 1/4-9 STUB ACME	3.42
55R2-24	3.52	1 1/2-9 STUB ACME	3.84
55R2-32	3.54	2-9 STUB ACME	4.85

### 55 SERIES 5507-BCR INTERFACE DETAILS

55 SERIES Bulkhead Connector Receptacle

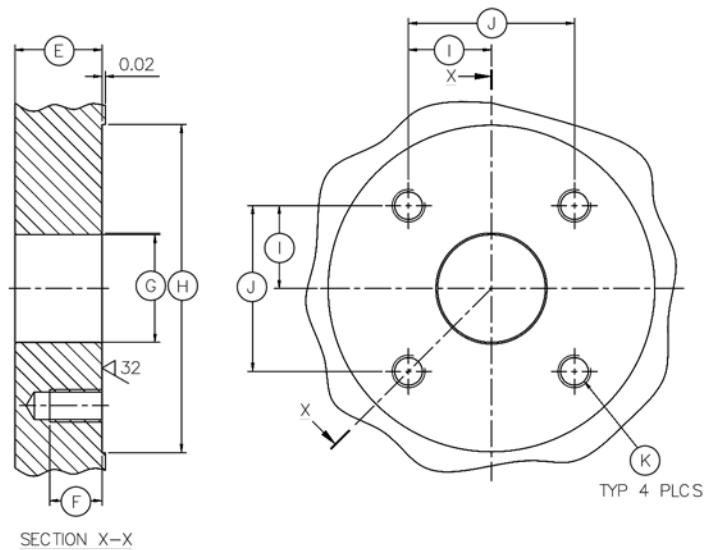


#### BCR INTERFACE MOUNTING INFORMATION

CONNECTOR	A - MIN (INCHES)	B - THREAD	C - Ø (INCHES)	D - MIN Ø (INCHES)
5507-15	0.50	5/8-18 UNF 2B	0.68	1.30
5507-16	0.50	5/8-18 UNF 2B	0.68	1.30
5507-20	0.50	3/4-16 UNF 2B	0.79	1.44
5507-24	0.50	1-14 UNS 2B	1.05	1.73
5507-32	0.50	1 1/2-12 UNF 2B	1.55	2.31

### 55 SERIES 5506-FCR INTERFACE DETAILS

55 SERIES Flange Connector Receptacle



#### FCR INTERFACE MOUNTING INFORMATION

CONNECTOR	E - MIN (INCHES)	F - TYPICAL (INCHES)	G - Ø (INCHES)	H - Ø (INCHES)	I - (INCHES)	J - (INCHES)	K - THREAD	RECOMMENDED FIXING SCREW LENGTH
5506-15	0.525	0.315	0.65	1.98	0.50	1.00	M5x0.8p 6H	15mm
5506-16	0.525	0.315	0.65	2.13	0.5625	1.125	M5x0.8p 6H	16mm
5506-20	0.625	0.375	0.77	2.33	0.625	1.25	M6x1.0p 6H	18mm
5506-24	0.625	0.375	1.02	2.655	0.75	1.50	M6x1.0p 6H	18mm
5506-32	0.825	0.50	1.52	3.53	1.00	2.00	M8x1.25p 6H	20mm

SIZE	55 SERIES CONTACT CONFIGURATIONS AVAILABLE (CCP FACE VIEW ONLY - NOT TO SCALE)				
15	<p>55XX-1502</p>	<p>55XX-1503</p>	<p>55XX-1504</p>	<p>55XX-1506</p>	<p>55XX-1508</p>
16	<p>55XX-1608</p>				
20	<p>55XX-2003</p>	<p>55XX-2004</p>	<p>55XX-2006</p>	<p>55XX-2008</p>	<p>55XX-2013</p>
24	<p>55XX-2410</p>	<p>55XX-2412</p>	<p>55XX-2420</p>		
32	<p>55XX-3210</p>	<p>55XX-3212</p>	<p>55XX-3216</p>	<p>55XX-3221</p>	<p>55XX-3224</p>
<p><b>KEY</b></p> <ul style="list-style-type: none"> <li> #16 SOCKET CONTACT</li> <li> #12 SOCKET CONTACT</li> <li> #10 SOCKET CONTACT</li> <li> #8 SOCKET CONTACT</li> </ul>					

**S E A C O N**®



# 66 SERIES

---

UNDERWATER ELECTRICAL DRY-MATE CONNECTORS

SECTION	PAGE
<b>66 SERIES</b>	
Introduction .....	66 SERIES 3
Availability .....	66 SERIES 3
Applications .....	66 SERIES 3
Testing .....	66 SERIES 3
Environmental Testing Capability .....	66 SERIES 3
Part Number System .....	66 SERIES 3
General Information.....	66 SERIES 3
Dimension Details:	
6601-CCP .....	66 SERIES 4
6606-FCR .....	66 SERIES 5
5507-BCR .....	66 SERIES 5
Interface Details:	
6607-BCR .....	66 SERIES 6
6606-FCR .....	66 SERIES 6
Contact Configurations .....	66 SERIES 7

**INTRODUCTION**

SEACON (europe) Ltd is pleased to announce the release of a new range of underwater electrical dry-mate connectors to compliment the existing 55 SERIES. The new 66 SERIES of reverse gender connectors enable power to be applied to the bulkhead connector yet still be safe to use. Manufactured utilizing tried and tested methods and materials, this new range also incorporates shorter locking sleeves to ensure easier mating capability.

Other key features include:-

- Industry Standard Compatibility
- Proven Sealing Technology
- Heavy Duty Stub Acme Threads\*
- Pressure Rated Blanking Caps available

**AVAILABILITY**

The 66 SERIES is currently available in two shell sizes; 16 and 20 with two configurations (8#16/13#16), however more configurations will be added to the range if required.

**APPLICATIONS**

This new connector range is suitable for a variety of applications including ROV's, underwater cameras, diver communications, lights and pan and tilts.

**TESTING**

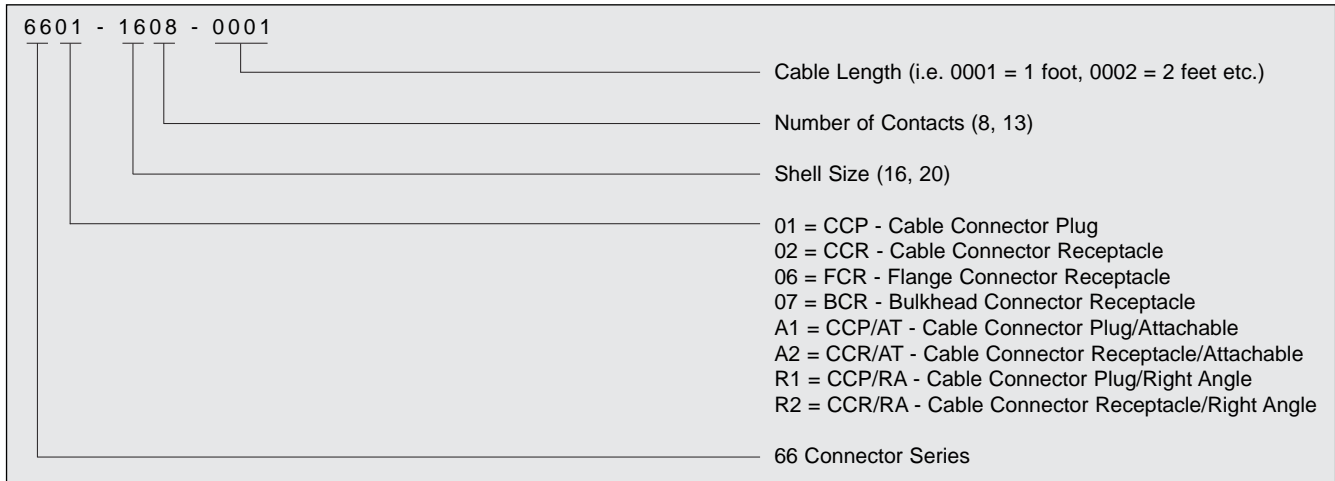
Please contact SEACON® for details.

**SPECIAL ASSEMBLIES**

SEACON® maintains all facilities necessary to furnish complete underwater and environmental electrical connector/cable systems, including Research and Development, Engineering, Manufacturing, Quality Control and Pressure Testing. As well as supplying our standard 'off-the-shelf' items, we have the capability to design and manufacture **SPECIAL CUSTOMIZED CONNECTORS AND CABLE ASSEMBLIES** to suit your individual needs. SEACON® also prides itself with the ability to perform stringent quality conformance testing procedures which are in accordance with the MIL-SPEC programs.

Please contact SEACON® for further information

**PART NUMBER SYSTEM - EXAMPLE**



**GENERAL INFORMATION**

COMPONENT	MATERIAL
CONNECTOR BODY BCR/CCP/FCR	316L Stainless Steel Shell / Neoprene internals
CONTACTS	Gold plated per MIL-G-45204
O-RING	Nitrile N70
ENGAGING NUT	316L Stainless Steel coated with special anti-galling compound
IN-LINE CABLE	Neoprene. Other materials are also available. Please contact SEACON® for details
SPIRAL RETAINING RING	316L Stainless Steel

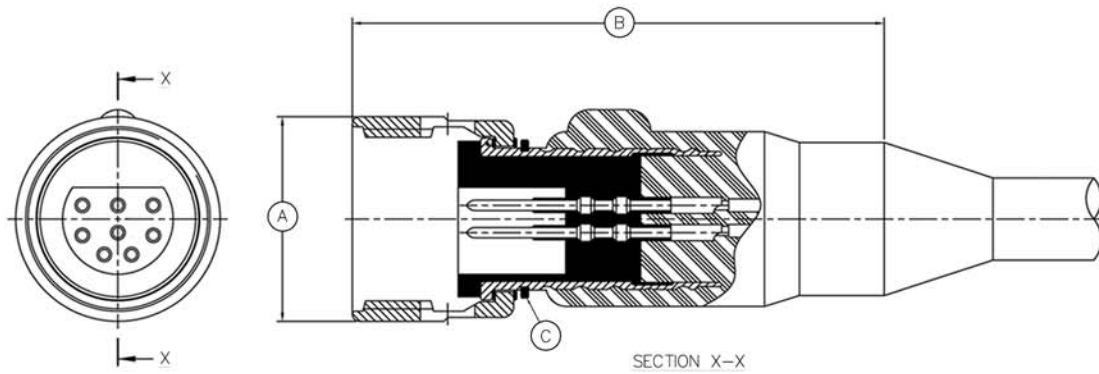
CATEGORY	VALUE
OPEN FACE PRESSURE	Up to 10,000 psi
MATED PRESSURE	10,000 psi
VOLTAGE RATING	600 VDC / 440 VAC
CURRENT	7 amps (contacts 13 amps) and cable dependent
BULKHEAD MOUNTING TORQUE	16 shell size = 125 inch/lbs* 20 shell size = 165 inch/lbs*

**NOTE:**

· \* Torque values refers to installation into dry metal threads.

**66 SERIES**  
**6601-CCP**

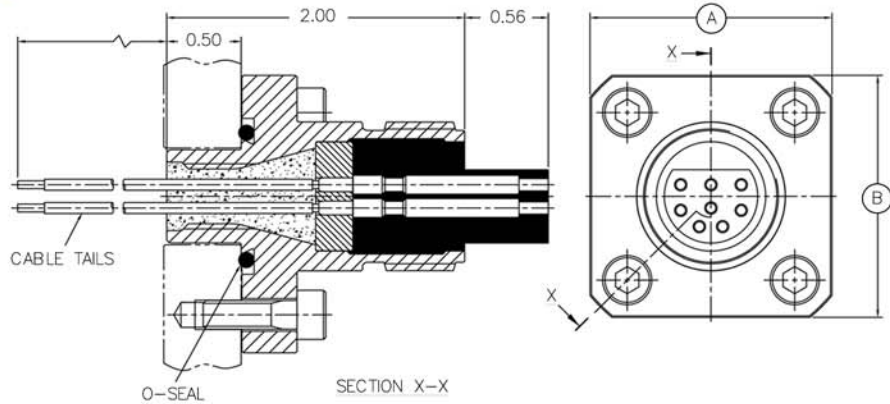
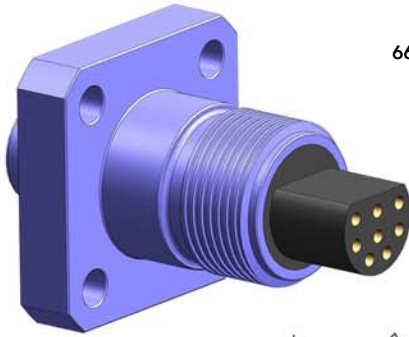
66 SERIES Cable Connector Plug  
Mates with 66-BCR/CCR/FCR  
Dummy Connector: 66-DSR



CONNECTOR	A - Ø (INCHES)	B - LENGTH (INCHES)	C
6601-16	1.17	3.04 APPROX	SPIRAL RETAINING RING
6601-20	1.45	3.70 APPROX	CIRCLIP

**66 SERIES**  
**6606-FCR**

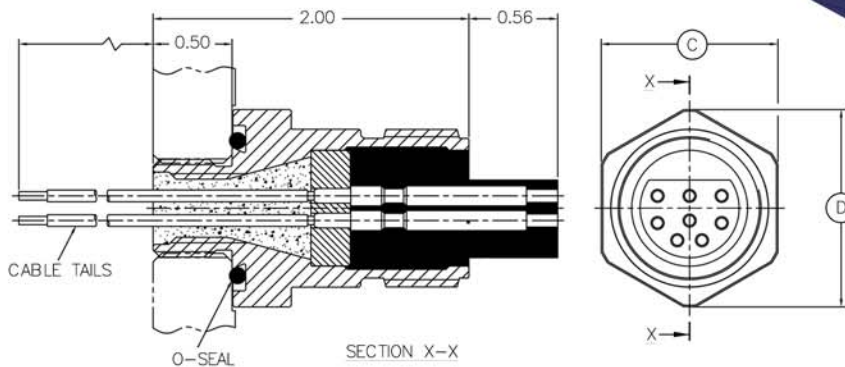
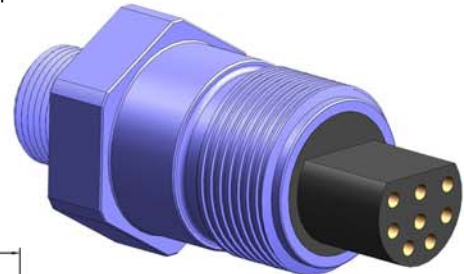
66 SERIES Flanged Connector Receptacle  
Mates with 66-CCP  
Dummy Connector: 66-DSP



CONNECTOR	A - (INCHES)	B - (INCHES)
6606-16	1.625	1.625
6606-20	1.75	1.75

**66 SERIES**  
**6607-BCR**

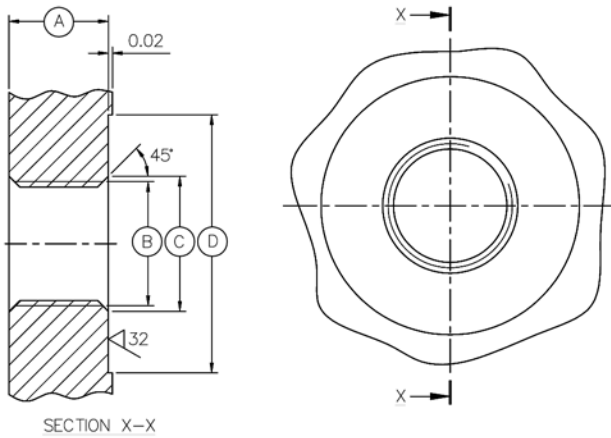
66 SERIES Bulkhead Connector Receptacle  
Mates with 66-CCP  
Dummy Connector: 66-DSP



CONNECTOR	C - (INCHES)	D - (INCHES)
6607-16	1.12	1.25
6607-20	1.25	1.40

**66 SERIES  
6607-BCR  
INTERFACE DETAILS**

66 SERIES Bulkhead Connector Receptacle

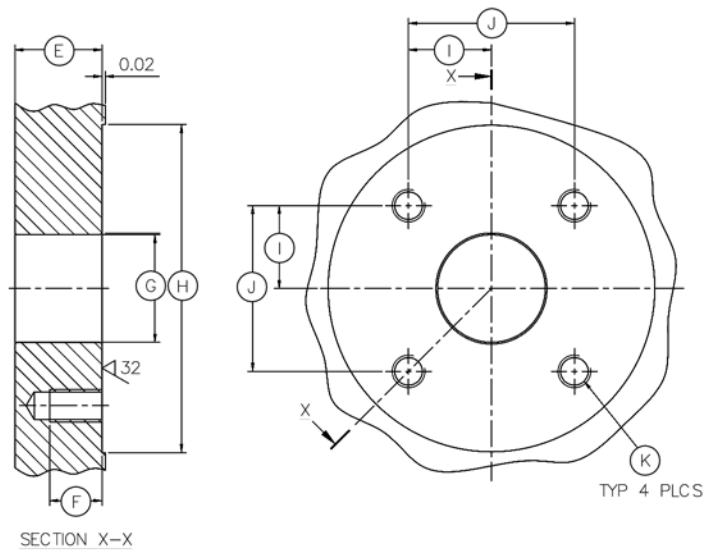


**BCR INTERFACE MOUNTING INFORMATION**

CONNECTOR	A - MIN (INCHES)	B - THREAD	C - Ø (INCHES)	D - MIN Ø (INCHES)
6607-16	0.50	5/8-18 UNF 2B	0.68	1.30
6607-20	0.50	5/8-16 UNF 2B	0.79	1.44

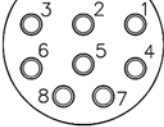
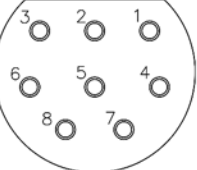
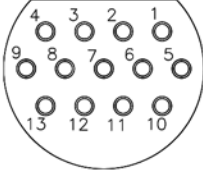

**66 SERIES  
6606-FCR  
INTERFACE DETAILS**

66 SERIES Flange Connector Receptacle



**FCR INTERFACE MOUNTING INFORMATION**

CONNECTOR	E - MIN (INCHES)	F - TYPICAL Ø (INCHES)	G - Ø (INCHES)	H - Ø (INCHES)	I - (INCHES)	J - (INCHES)	K - THREAD	RECOMMENDED FIXING SCREW LENGTH
6606-16	0.525	0.315	0.65	2.13	0.5625	1.125	M5x0.8p 6H	16mm
6606-20	0.625	0.375	0.77	2.33	0.625	1.25	M5x0.8p 6H	18mm

SIZE	66 SERIES CONTACT CONFIGURATIONS AVAILABLE (CCP FACE VIEW ONLY - NOT TO SCALE)
16	 <p>66XX-1608</p>
20	  <p>66XX-2008                      66XX-2013</p>
	<p><b>KEY</b></p>  #16 SOCKET CONTACT

**NOTES:**

- Shell size 16 only available in 8#16 configuration.

## HANDLING PROCEDURES AND SPECIAL CAPABILITIES



**SEACON (europe) LTD**  
Seacon House, Hewett Road,  
Gapton Hall Industrial Estate,  
Great Yarmouth, Norfolk, NR31 0RB, UK.  
TEL: +44 (0) 1493-652733  
FAX: +44 (0) 1493-652840  
E-Mail: sales@seaconeurope.com  
Website: www.seaconeurope.com



**SEA CON®**  
1700 Gillespie Way,  
El Cajon, California 92020, USA.  
TEL: +1 (619) 562-7071  
FAX: +1 (619) 562-9706  
E-Mail: seacon@seaconworldwide.com  
Website: www.seaconworldwide.com



**SEA CON US GULF AREA SALES OFFICE**  
21925 Franz Road, Suite 401,  
Katy, Texas 77449, USA.  
TEL: +1 (281) 599-3509  
FAX: +1 (281) 599-3517  
E-Mail: gulfcoastsales@seaconworldwide.com  
Website: www.seaconworldwide.com



**SEA CON US EAST COAST SALES OFFICE**  
50 Airport Road,  
Westerly, RI 02891, USA.  
TEL: +1 (401) 348-0155  
FAX: +1 (401) 348-0227  
E-Mail: eastcoastsales@seaconworldwide.com  
Website: www.seaconworldwide.com



**SEA CON FLORIDA SALES OFFICE**  
Building B, Suite 22,  
3959 South Nova Road,  
Port Orange,  
Florida 32127, USA.  
TEL: +1 (281) 802-5504  
E-Mail: steven.thumbeck@seacon-ap.com



**SEACON ADVANCED PRODUCTS, LLC**  
1321 Nelius Road, P.O. Box 767,  
Bellville, Texas 77418, USA.  
TEL: +1 (979) 865-8846  
FAX: +1 (979) 865-8859  
E-Mail: sales@seacon-ap.com  
Website: www.seacon-ap.com



**SEACON BRAZIL**  
Rua Conde de Bonfim 120 sala 212,  
Tijuca, Rio de Janeiro,  
Brazil, CEP: 20520-053.  
TEL: +55 (21) 8849-3336  
E-Mail: renata@seacon-ap.com



**SEA CON GLOBAL PRODUCTION**  
Callejon Terrazos #8, Local 2-C,  
Las Brisas 1ra. Seccion,  
Tijuana, B.C., Mexico C.P. 22610.  
TEL: +52 (664) 626-2726  
FAX: +52 (664) 686-8922  
E-Mail: sales@seaconglobal.com  
Website: www.seaconglobal.com  
Dial from U.S.A. TEL: +1 (619) 308-7901  
TOLL FREE: (888) 562-7072  
FAX: +1 (619) 308-7900



**SEACON PHOENIX, LLC.**  
15 Gray Lane, Suite 108,  
Hopkinton Industrial Park,  
Ashaway, RI 02804, USA.  
TEL: +1 (401) 637-4952  
FAX: +1 (401) 637-4953  
E-Mail: sales@seaconphoenixllc.com  
Website: www.seaconphoenixllc.com

Even though these procedures appear simple, only qualified technicians should perform the installation and maintenance.

Connectors are designed for installation on one atmosphere vessels. Contact **SEA CON®** for recommendations if using compensated vessels.

### INSTALLATION PROCEDURES

Torque values referenced in this literature assume installation into dry metal threads. For other applications, please contact **SEA CON®** for recommendations.

**BULKHEAD CONNECTOR (BC):** The BC may be installed using one of two methods. The preferred method is to spotface the bulkhead surface and thread the hole, then screw the connector by means of a nut and washer. The bored hole (or threaded hole) should be free of any "burrs" and all o-ring sealing surfaces polished to a number 32 finish. Lubricate the BC o-ring with an appropriate silicon spray or grease before installing. This lubrication should be applied to form an adequate film. Excessive lubrication is detrimental to the operation of the connector. Bulkhead nut, if used, should not be over-torqued.

**IN-LINE CONNECTOR:** Lubricate the sealing areas around the male pins, using an appropriate silicon spray, or grease lightly.

### CARE AND MAINTENANCE

The **55 & 66 SERIES** connectors require very little maintenance. They are designed to be used in harsh environments and thus limited amounts of dirt and grit do not affect their performance.

It is recommended that, upon disconnecting or retrieving the system, the connectors be cleaned, to storage (if possible, remate with dummy plugs). Prior to deployment the following maintenance procedure is recommended:

1. Demate the connector set.
2. Flush connector interface with fresh water (deionized water if available), remove all dirt, grit and grease.
3. Inspect for damage in sealing areas, excessive corrosion, debonding of the cable and connector interface and cuts in the cable jacket.
4. Apply thin film of dielectric compound (DC) grease, silicon based, to sealing areas of male connector and across the face of the female connector\*. If the BC is removed from its housing then replace facial o-ring and make sure that o-rings are lubricated and in good condition.
5. Mate the connector halves, wipe away any excess grease off the interface line of the mated set.

\* **CAUTION:** The use of some oil-based propellants in spray cans can cause conductivity problems in neoprene.

### CABLE AND CONTINUITY PRESERVATION

Avoid sharp bends in cables. Cables subjected to vibration or exposed to seawater drag should be adequately clamped to prevent conductor fatigue and ultimate failure.

All reasonable efforts have been taken to ensure that the information contained herein is accurate at the date of publication, but no representation or warranty as to the accuracy or completeness of such information is intended or to be implied by its inclusion herein. Any and all representations and warranties pertaining to the information and products referred to herein shall be set forth in **SEA CON®** standard sales order form. In addition, **SEA CON®** reserves the right to make changes to the contents hereof without notice, therefore it is suggested that at the time of inquiry, the appropriate sales office or factory be contacted directly for verification of published specifications and products availability.

© 2011 **SEACON (europe) LTD**  
ALL RIGHTS RESERVED