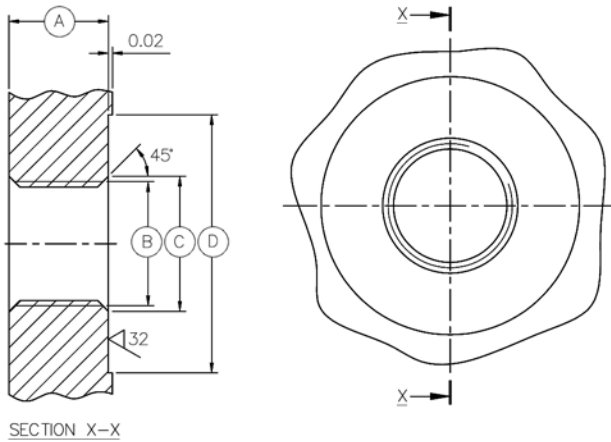


**66 SERIES
6607-BCR
INTERFACE DETAILS**

66 SERIES Bulkhead Connector Receptacle

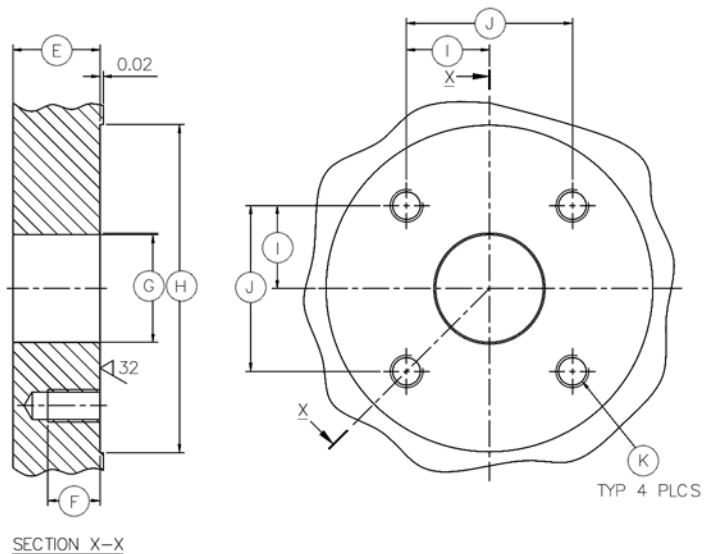


BCR INTERFACE MOUNTING INFORMATION

CONNECTOR	A - MIN LENGTH (INCHES)	B - THREAD	C - Ø (INCHES)	D - MIN Ø (INCHES)
6607-16	0.50	5/8-18 UNF 2B	0.68	1.30
6607-20	0.50	3/4 -16 UNF 2A	0.79	1.44

**66 SERIES
6606-FCR
INTERFACE DETAILS**

66 SERIES Flange Connector Receptacle



FCR INTERFACE MOUNTING INFORMATION

CONNECTOR	E - MIN LENGTH (INCHES)	F - TYPICAL Ø (INCHES)	G - Ø (INCHES)	H - Ø (INCHES)	I - LENGTH (INCHES)	J - LENGTH (INCHES)	K - THREAD	RECOMMENDED FIXING SCREW LENGTH
6606-16	0.525	0.315	0.65	2.13	0.5625	1.125	M5x0.8p 6H	16mm
6606-20	0.625	0.375	0.77	2.33	0.625	1.25	M5x0.8p 6H	18mm