

75 OHM COAX CONNECTOR



75 ohm coax connector

DESCRIPTION

Developed in conjunction with a camera manufacturer where a new HD camera required impedance matched coax and signal lines. This new connector is based around SEACON's MINL-CCPL shell size with the FCRL having a combination of the MINL front end interface, but with a SEACON 5515 FCR mounting interface. The CCPL insert is manufactured from moulded PEEK (Polyetheretherketone) with a 316L Stainless Steel connector shell. The bulkhead have a glass to metal sealed insert and has been open-face pressure tested to 8,400 psi. This new 75 ohm coax connector is also available with the bulkhead having the standard MINL-BCRL mounting interface.

KEY FEATURES

- Based around existing design
- Available in alternative materials
- Suitable for a variety of applications

DESIGN SPECIFICATION

- Contacts: 1 coax, 6 electrical (22 AWG)
- Recommended Coaxial Cable or Component: RG.6A/U & RG.59B/U
- Pressure tested to 8,400 psi mated & open-face
- Impedance: 75 ohms
- Current: 3-4 amps

NOTE:

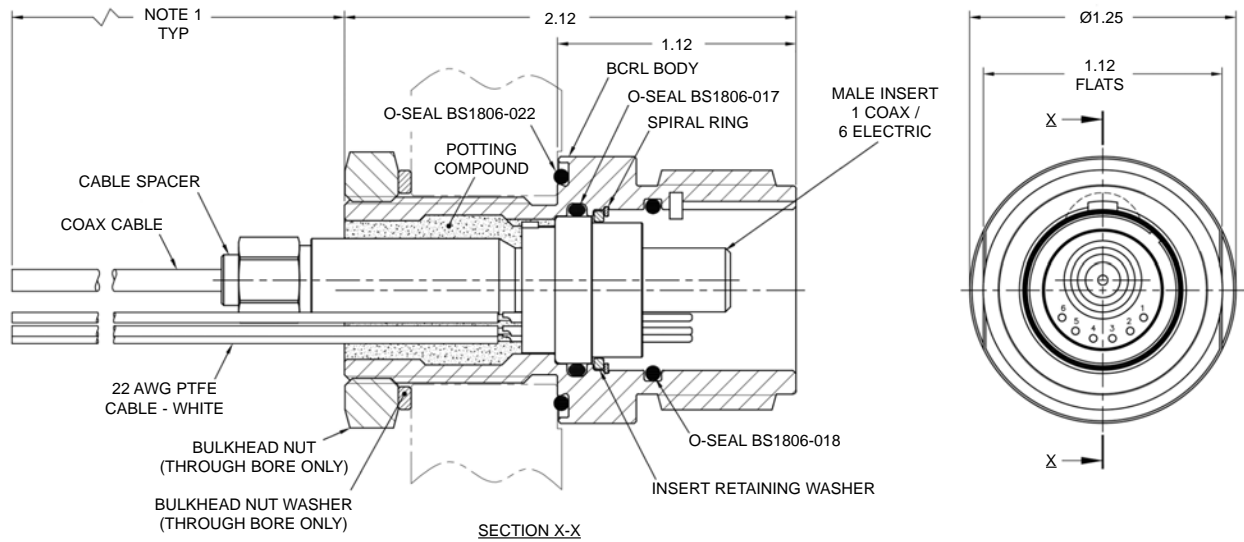
This is a dry-mate connector, in open-face exposure, it only operates as a pressure boundary.

QUALITY

- SEACON (europe) Ltd operate a Quality Management System accredited to ISO 9001.



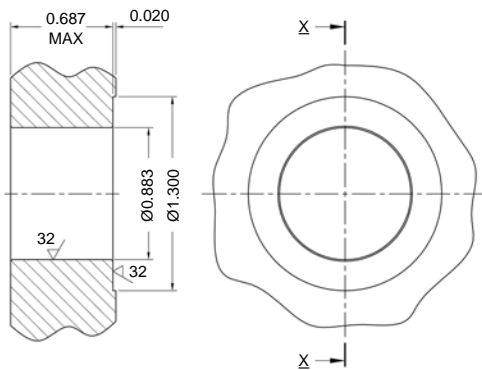
MINI-CON MIN-L BCRL - 1 COAX/6 ELECTRIC



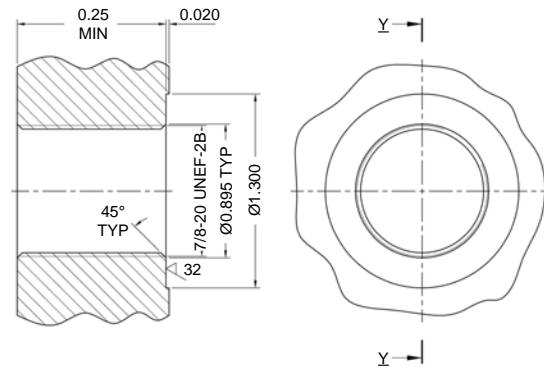
NOTES:

1 - Cable tail length to be specified on purchase order.

BCR THROUGH BORE MOUNTING OPTION UTILISING BULKHEAD NUT AND WASHER



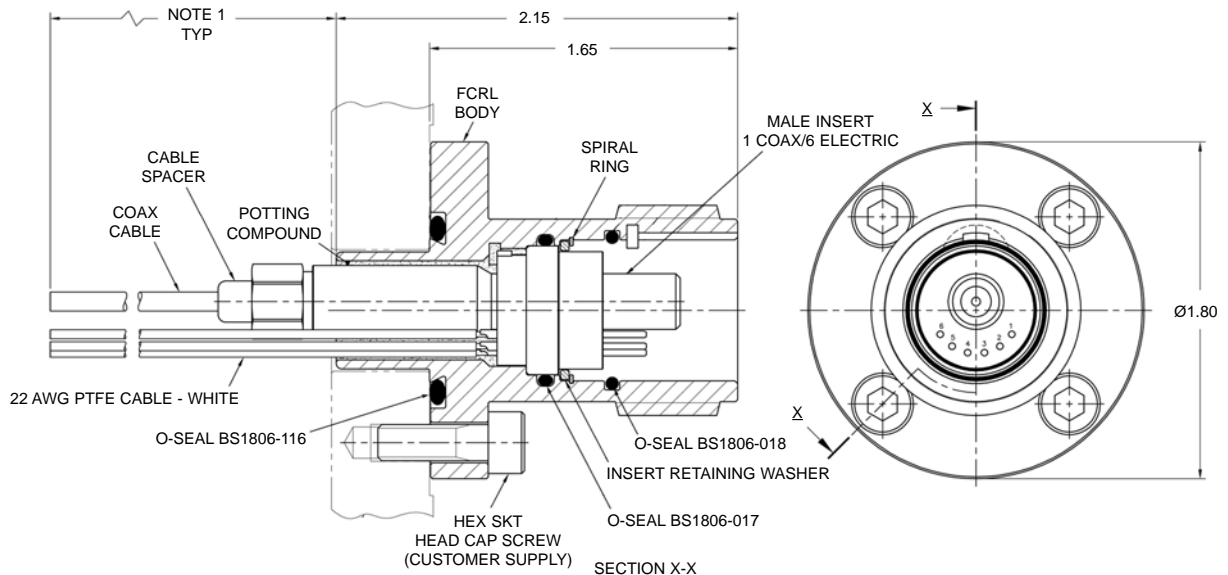
BCR THREAD MOUNTED OPTION





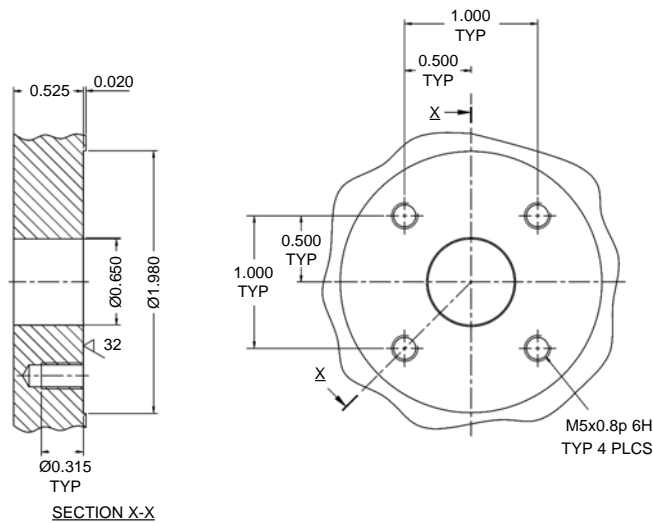
SEACON (europe) LTD
PRODUCT DATASHEET

**MINI-CON MIN-L FCRL - 1 COAX/6 ELECTRIC
 (55 SERIES SIZE 15 INTERFACE)**

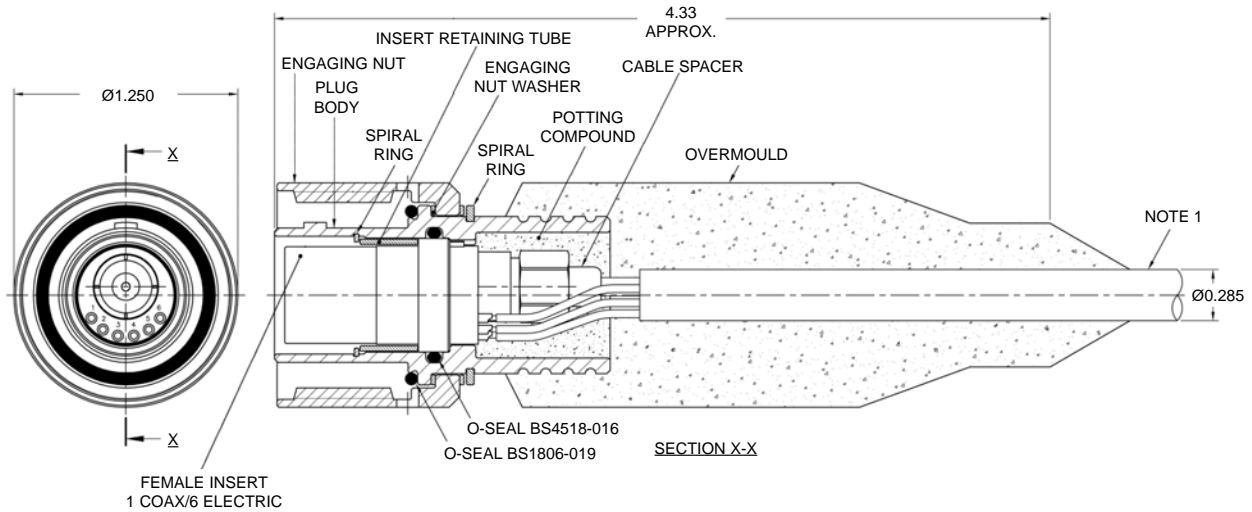


NOTES:
 1 - Cable tail length to be specified on purchase order.

FCR INTERFACE MOUNTING INFORMATION



MINI-CON MIN-L CCPL - 1 COAX/6 ELECTRIC MOULDED STRAIGHT



NOTES:

1 - Connector supplied with 75 Ohm Coax / 9 Core Cable as standard unless otherwise specified on customer purchase order.

All reasonable efforts have been taken to ensure that the information contained herein is accurate at the date of publication, but no representation or warranty as to the accuracy or completeness of such information is intended or to be implied by its inclusion herein. Any and all representations and warranties pertaining to the information and products referred to herein shall be set forth in SEACON standard sales order form. In addition, SEACON reserves the right to make changes to the contents hereof without notice, therefore it is suggested that at the time of inquiry, the appropriate sales office or factory be contacted directly for verification of published specifications and products availability.

© 2015 SEACON (europe) Ltd
ALL RIGHTS RESERVED