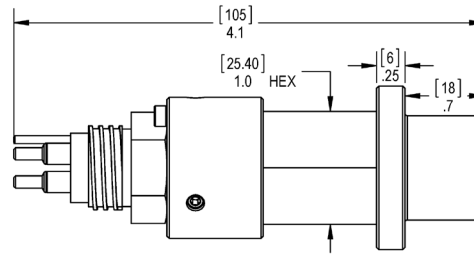


## SEACON DUAL SWITCH PROXIMITY SWITCH

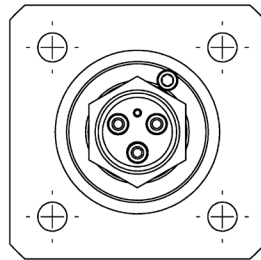
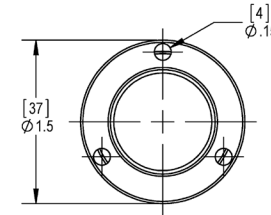
FOR ADDITIONAL INFORMATION SEND REQUEST TO [bellvillesales@te.com](mailto:bellvillesales@te.com)



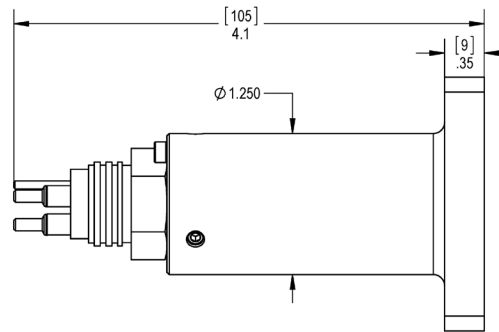
MCBH-4M-DO AND MCBH-4F-DO CONNECTOR STANDARD  
(OTHER MCBH CONNECTORS AVAILABLE)



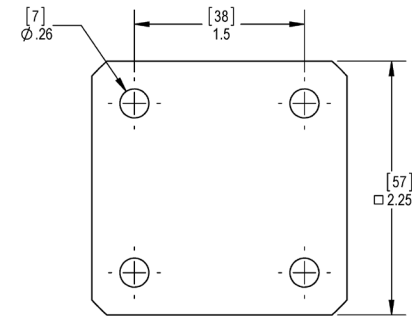
A040-101-X  
(4200m DEPTH)



MCBH-3M-DO CONNECTOR STANDARD  
(OTHER MCBH CONNECTORS AVAILABLE)



A040-102-X  
(1000m DEPTH)



FOR REFERENCE ONLY

COPYRIGHT © SEACON ADVANCED PRODUCTS LLC			
<b>SEACON ADVANCED PRODUCTS LLC</b>			
1321 NELIUS RD. - BELLVILLE, TEXAS - 77418			
<b>UNDERWATER SWITCH SALES DRAWING</b>			
SIZE <b>B</b>	CAGE NO. 4EAN5	DWG NO. <b>A130-104-2</b>	REV <b>A</b>
DO NOT SCALE DRAWING		SCALE 1:1	SOLIDWORKS SHEET 2 OF 6

#### FEATURES:

- DUAL MICRO SWITCH, 115 VAC/28 VDC, 7 AMP OR 1 AMP MAX RESISTIVE LOAD
- HOUSING MATERIAL 316 SST, OPTIONAL MATERIAL TITANIUM AND MONEL
- OPERATING DEPTH AS SPECIFIED
- DESIGNED FOR HIGH SHOCK
- CUSTOM DESIGNS AVAILABLE
- X= CONFIGURATION OPTIONS