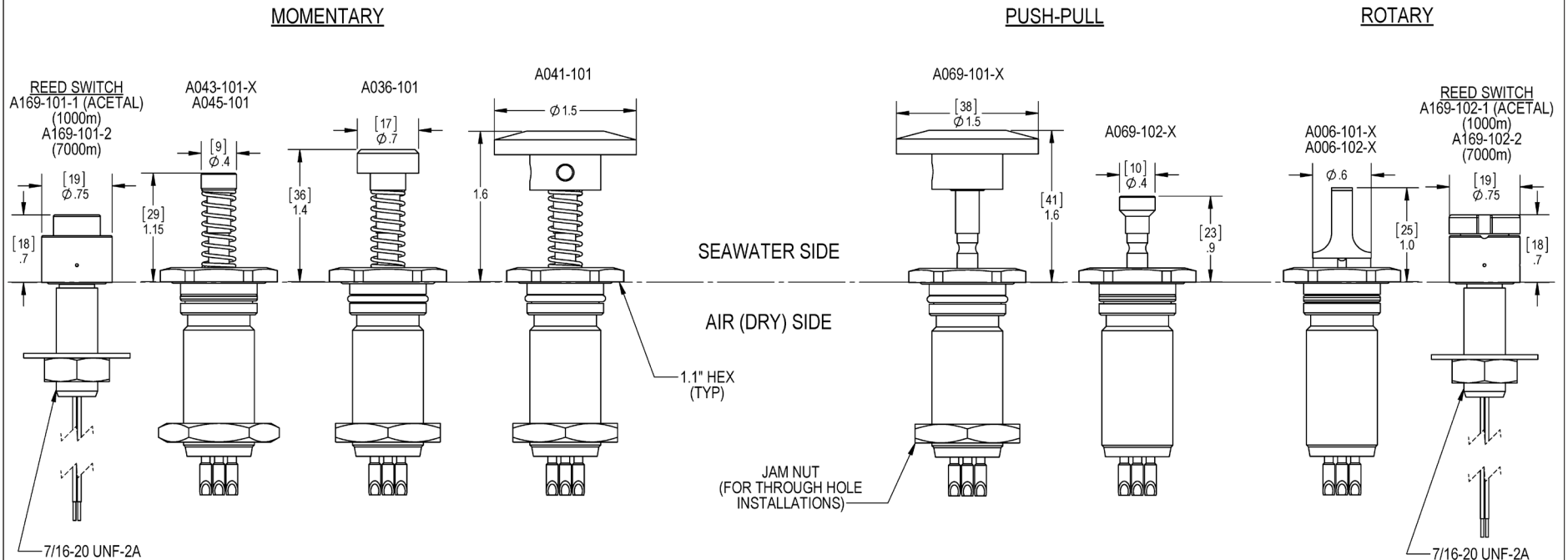


SEACON BULKHEAD MOUNTED SWITCHES

FOR ADDITIONAL INFORMATION SEND REQUEST TO bellvillesales@te.com



FEATURES:

- MICRO SWITCH, 115 VAC/28 VDC, 7 AMP OR 1 AMP MAX RESISTIVE LOAD
- REED SWITCH AVAILABLE AS SHOWN
- HOUSING MATERIAL 316 SST, OPTIONAL MATERIAL TITANIUM AND ACETAL
- 1.1" HEX HOUSING HAS DUAL O-RING SEAL, FACE AND RADIAL
- A169 SERIES HAS FACE O-RING SEAL ONLY
- MOUNTING THREAD 3/4-16 UNF-2A, UNLESS SPECIFIED OTHERWISE
- TYPICAL 3600 METER OPERATING DEPTH, WITH OPTIONS 1000m TO 7000m
- CUSTOM DESIGNS AVAILABLE
- X= CONFIGURATION OPTIONS

FOR REFERENCE ONLY

COPYRIGHT © SEACON ADVANCED PRODUCTS LLC			
SEACON ADVANCED PRODUCTS LLC			
1321 NELIUS RD. - BELLVILLE, TEXAS - 77418			
UNDERWATER SWITCH SALES DRAWING			
SIZE B	CAGE NO. 4EANS	DWG NO. A130-104-4	REV A
DO NOT SCALE DRAWING		SCALE 1:1	SOLIDWORKS SHEET 4 OF 6