

## SEACON PROXIMITY SWITCH ACTUATORS

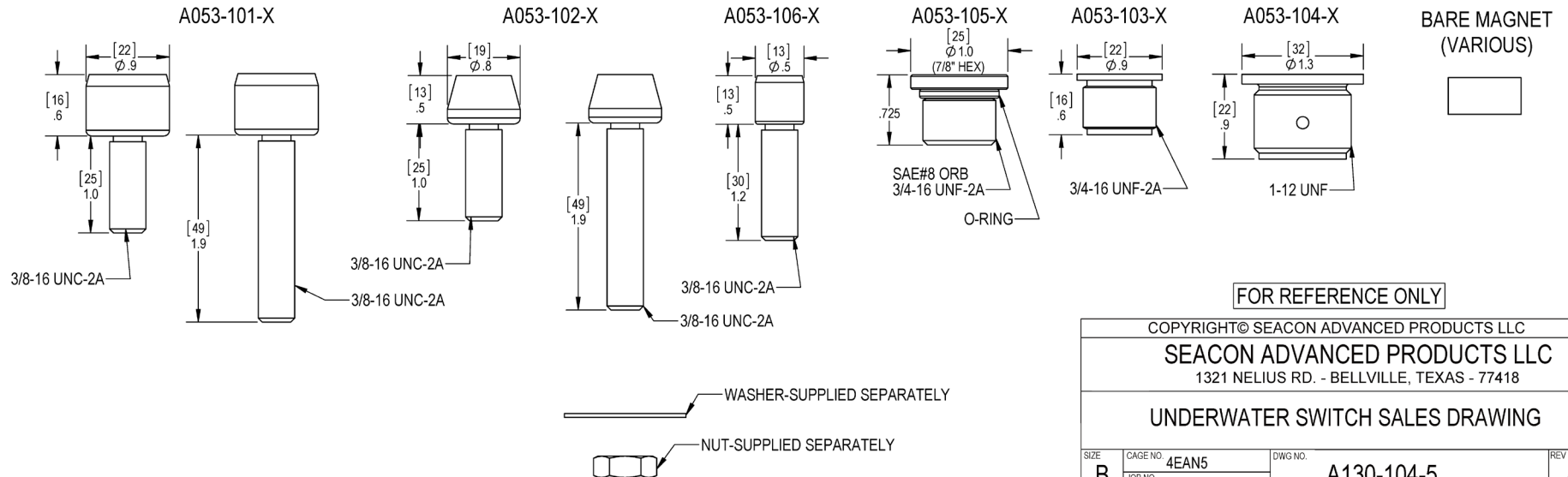
FOR ADDITIONAL INFORMATION SEND REQUEST TO [bellvillesales@te.com](mailto:bellvillesales@te.com)

### FEATURES:

- MAGNETS ARE SAMARIUM COBALT FOR MAXIMUM CORROSION RESISTANCE
- MAGNETS ARE ENCAPSULATED IN EPOXY IN ALL ACTUATOR ASSEMBLIES
- HOUSING MATERIAL 316 SST, OPTIONAL MATERIAL TITANIUM
- AVAILABLE AS NORTH OR SOUTH POLE ACTUATION, VERIFY THE CORRECT POLARITY FOR SELECTED SWITCH
- ACTUATORS ARE DESIGNED FOR SEAWATER USE
- PLUG STYLE MAGNETS DO NOT SEAL IN HOUSING, EXCEPT A053-105-X
- MAGNET SIZE AND STRENGTH DETERMINE PROXIMITY ACTUATION DISTANCE
- CONTACT SEACON FOR RECOMMENDED MAGNET FOR ACTUATION DISTANCE REQUIRED
- CUSTOM DESIGNS AVAILABLE
- X= CONFIGURATION OPTIONS



PROXIMITY SWITCH SHOWN FOR REFERENCE ONLY  
SEE DRAWING A130-104-1 AND A130-104-2 FOR PROXIMITY SWITCH SELECTIONS



FOR REFERENCE ONLY

COPYRIGHT© SEACON ADVANCED PRODUCTS LLC			
<b>SEACON ADVANCED PRODUCTS LLC</b>			
1321 NELIUS RD. - BELLVILLE, TEXAS - 77418			
<b>UNDERWATER SWITCH SALES DRAWING</b>			
SIZE <b>B</b>	CAGE NO. 4EANS	DWG NO. <b>A130-104-5</b>	REV <b>A</b>
DO NOT SCALE DRAWING		SCALE 1:1	SOLIDWORKS SHEET 5 OF 6