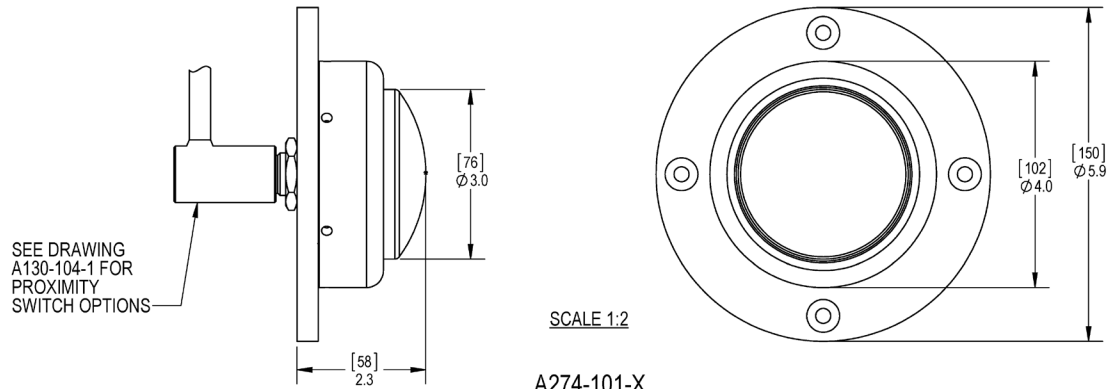


## SEACON UNDERWATER SWITCH ACCESSORIES

FOR ADDITIONAL INFORMATION SEND REQUEST TO [bellvillesales@te.com](mailto:bellvillesales@te.com)

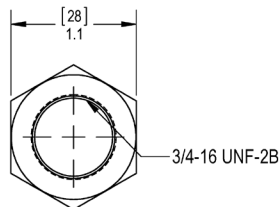


SCALE 1:2

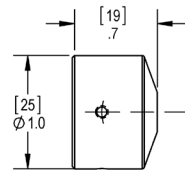
**A274-101-X**

**3" PUSH BUTTON ASSEMBLY**

**FOR USE WITH MICRO SWITCH PROXIMITY SWITCH, SUPPLIED SEPARATELY**



**JAM NUTS**  
**A000-180-1 (SST)**  
**A000-180-2 (TI)**  
 FOR USE WITH ALL SWITCHES  
 WITH 3/4-16 UNF-2A THREADS



**LIMIT SWITCH BUTTON**  
**A000-189 (SST)**  
 FOR USE WITH SWITCHES:  
 A009-10X  
 A043-101-X  
 A045-101  
 A083-10X  
 A108-10X

FOR REFERENCE ONLY

COPYRIGHT © SEACON ADVANCED PRODUCTS LLC			
<b>SEACON ADVANCED PRODUCTS LLC</b>			
1321 NELIUS RD. - BELLVILLE, TEXAS - 77418			
<b>UNDERWATER SWITCH SALES DRAWING</b>			
SIZE <b>B</b>	CAGE NO. 4EAN5	DWG NO. <b>A130-104-6</b>	REV <b>A</b>
DO NOT SCALE DRAWING		SCALE 1:1	SOLIDWORKS SHEET 6 OF 6