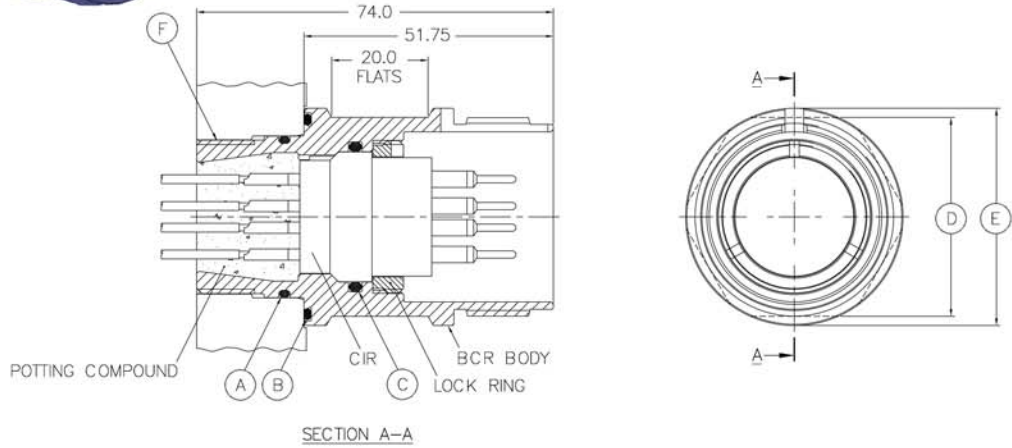
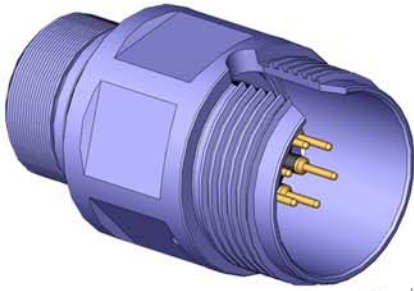
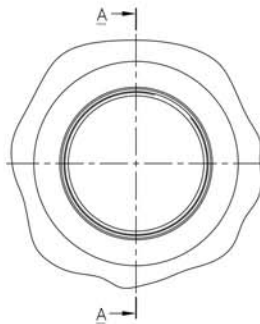
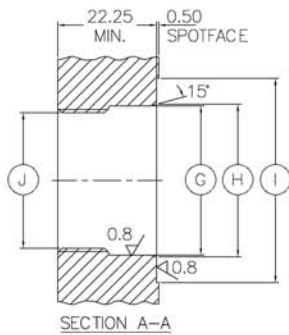


EX-MATE SERIES
EX-BCR

EX-MATE Bulkhead Connector Receptacle
Mates with EX-CCP



CONNECTOR	A - O-RING	B - O-RING	C - O-RING	D - HEX FLATS (MM)	E - Ø (MM)	F - THREAD
EXG-BCR	019	024	2-115	31.75	35.56	M22x1.5p 6g
EXK-BCR	025	029	2-121	41.28	45.10	M32x1.5p 6g
EXL-BCR	519	032	2-127	50.80	54.60	M40x1.5p 6g
EXM-BCR	134	035	2-133	60.32	64.15	M50x1.5p 6g



BCR MOUNTING INFORMATION

CONNECTOR	G - Ø (MM)	H - Ø MIN. (MM)	I - Ø MIN. (MM)	J - THREAD
EXG-BCR	24.05 24.10	24.84	37.00	M22x1.5p 6H
EXK-BCR	33.58 33.63	34.36	46.00	M32x1.5p 6H
EXL-BCR	43.10 43.15	43.90	56.00	M40x1.5p 6H
EXM-BCR	52.63 52.68	53.52	65.00	M50x1.5p 6H

