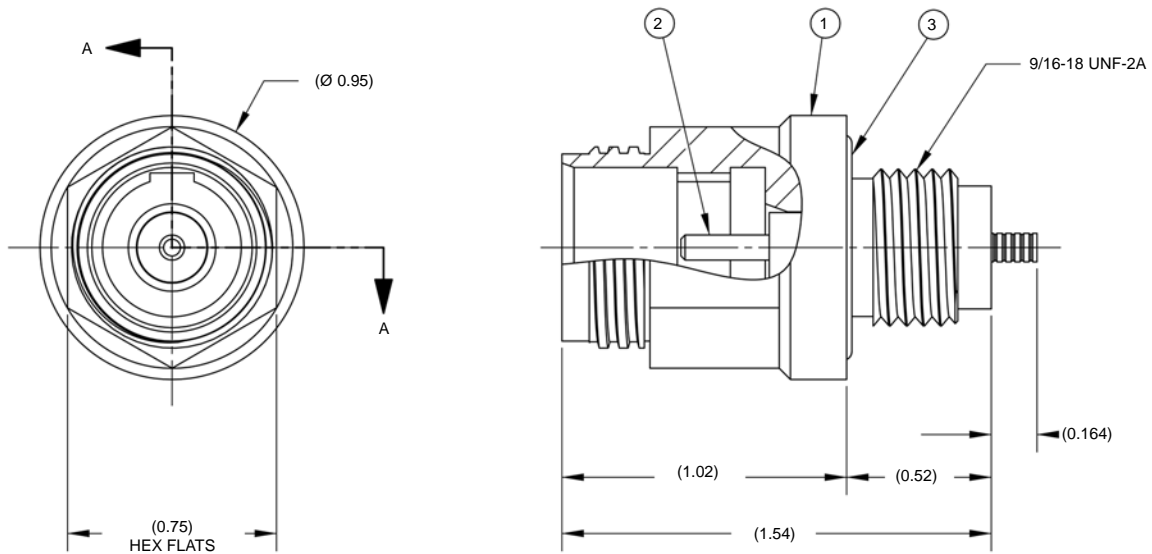
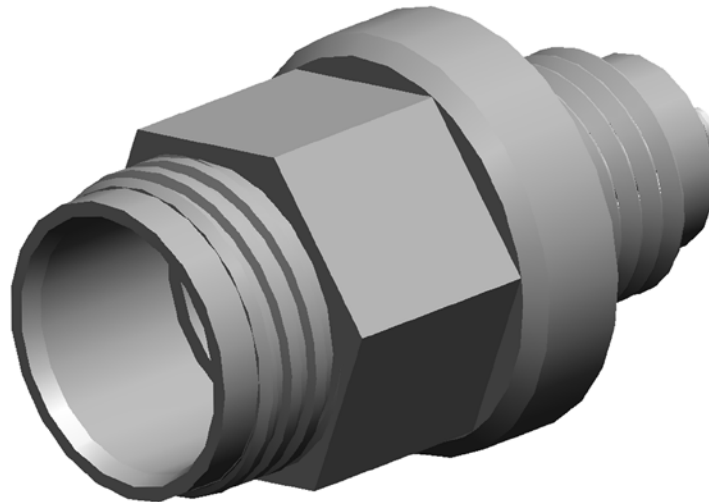


CS-MS FIBER OPTIC SERIES
CS-MS-1FO-BCR
 CS-MS Bulkhead Connector
 Mates with CS-MS-1FO-CCP



NOTES:

- 1 - CS-MS-BCR SHELL: Aluminum 6061-T6 or 6061-T651. Hard Anodized.
- 2 - FIBER OPTIC CONTACT ASSEMBLY: HOUSING; 316 Stainless Steel. CONTACT; Zirconia Ceramic.
- 3 - O-RING: Nitrile (formerly known as Buna N).

Typical insertion loss <0.3dB.

For further information please refer to the CS-MS brochure.