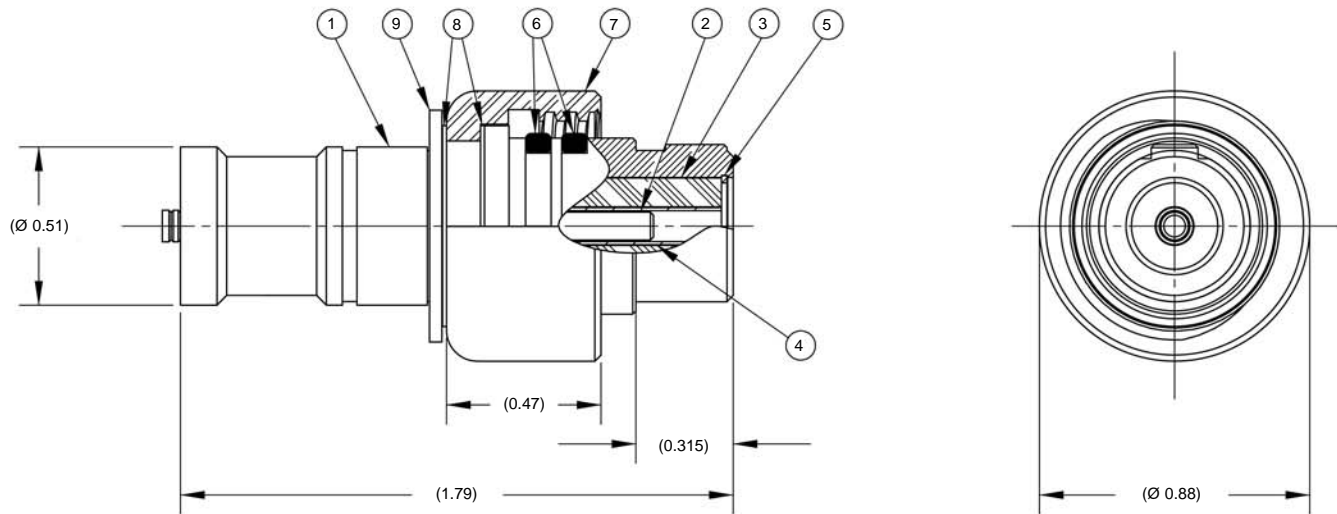
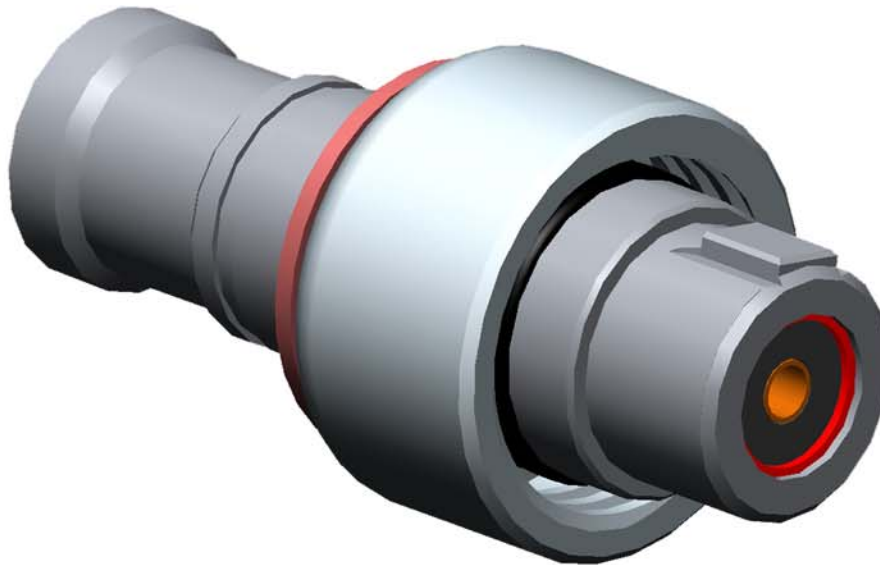


CS-MS FIBER OPTIC SERIES
CS-MS-1FO-CCP

CS-MS Cable Connector Plug
 Mates with CS-MS-1FO-BCR



NOTES:

- 1 - CS-MS-CCP SHELL: Aluminum 6061-T6 or 6061-T6511. Hard Anodized.
- 2 - FIBER OPTIC CONTACT ASSEMBLY: HOUSING; 316 Stainless Steel. CONTACT; Zirconia Ceramic.
- 3 - ALIGNMENT SLEEVE ADAPTER: Delrin® (DuPont trademark for Acetal Resin).
- 4 - ALIGNMENT SLEEVE: Zirconia Ceramic.
- 5 - INTERNAL RETAINING RING: 316 Stainless Steel.
- 6 - O-RING: Nitrile (formerly known as Buna N).
- 7 - ENGAGING NUT: Aluminum 6061-T6 or 6061-T6511. Hard Anodized.
- 8 - WASHER: Delrin® (DuPont trademark for Acetal Resin).
- 9 - RETAINING RING: (P/N: 11-40393-1); 420 Stainless Steel.

Typical insertion loss <0.3dB.
 Pressure Balanced Oil Filled (PBOF) version only.

For further information please refer to the CS-MS brochure.