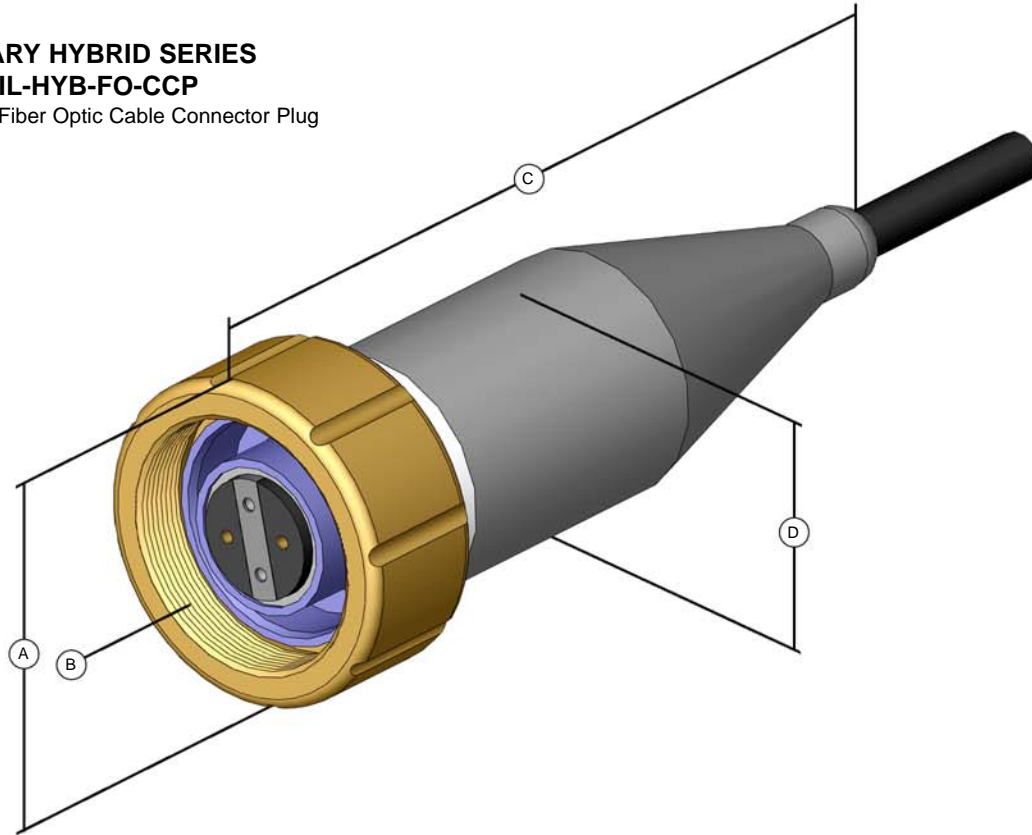


**MILITARY HYBRID SERIES
MIL-HYB-FO-CCP**

Military Hybrid Fiber Optic Cable Connector Plug



QTY OF FIBERS	ELECTRICAL CONTACTS	PPD P/N	MATING CONNECTOR	A - DIAMETER (INCHES)	B - THREAD	C - LENGTH (INCHES)	D - DIAMETER (INCHES)
2	6 EA. 16 AWG	802-6337554.8.8.1-15	802-6337554.8.7.1-3 / CR2294-3	2.00	1.688-12UN-2B	5.36	1.49
2	6 EA. 16 AWG	802-6337554.8.8.2-10	802-6337554.8.7.2-2 / CR2295-2	2.50	2.000-12UN-2B	5.93	1.88
4	N/A	802-6337554.8.8.1-10	802-6337554.8.7.1-1 / CR2294-1	2.00	1.688-12UN-2B	5.36	1.49
8	N/A	802.6337554.8.8.1-5	802-6337554.8.7.1-2 / CR2294-2	2.00	1.688-12UN-2B	5.36	1.49
15	N/A	802-6337554.8.8.2-5	802-6337554.8.7.2-1 / CR2295-1	2.50	2.000-12UN-2B	5.93	1.88