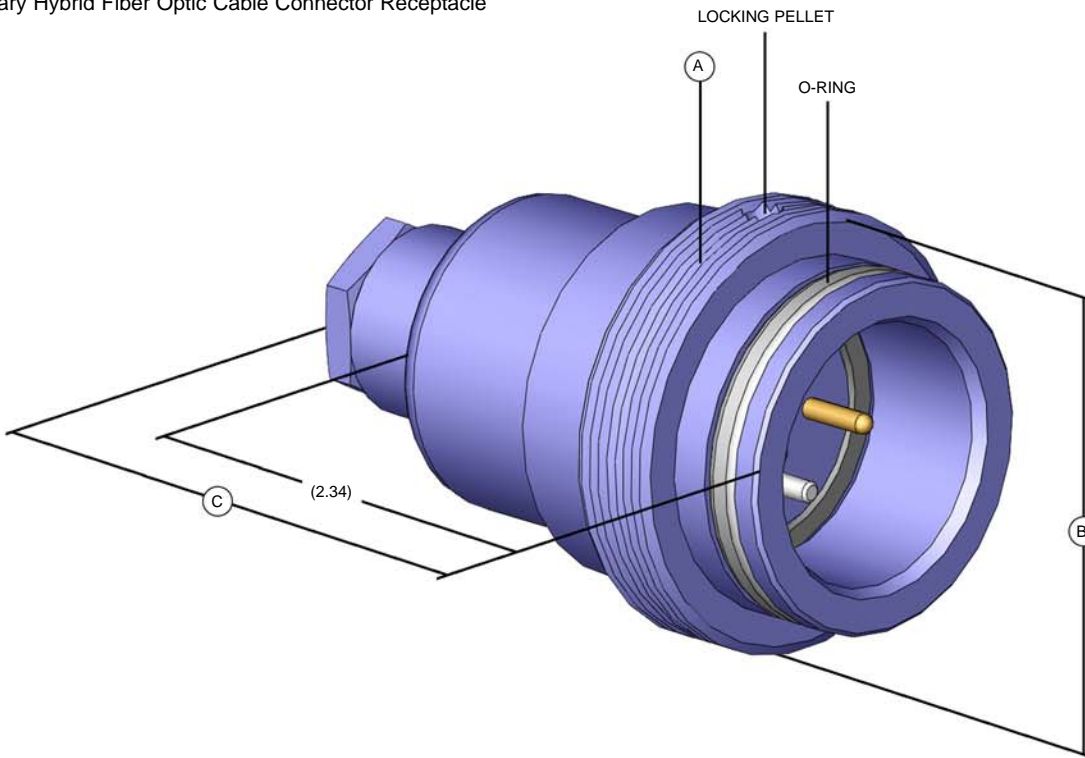


**MILITARY HYBRID SERIES
MIL-HYB-FO-CCR**

Military Hybrid Fiber Optic Cable Connector Receptacle



QTY OF FIBERS	ELECTRICAL CONTACTS	O-RING TYPE	LOCKING PELLETT	PPD P/N	MATING CONNECTOR	A - THREAD	B - DIAMETER (INCHES)	C - LENGTH (INCHES)
2	6 EA. 16 AWG	MS28775-215	M24231/5-077	802-6337554.8.7.1-3	CP2296 / CP2299-1 CP2299-2 / CP2299-3 / CP2299-4	1.688-12UN-2A	1.688	3.20
2	6 EA. 16 AWG	MS28775-220	M24231/5-077	802-6337554.8.7.2-2	CP2304 / CP2300-1 CP2300-2 / CP2300-3 / CP2300-4	2.000-12UN-2A	2.00	3.13
4	N/A	MS28775-215	M24231/5-077	802-6337554.8.7.1-1	CP2298 / CP2301-1 CP2301-2 / CP2301-3 / CP2301-4	1.688-12UN-2A	1.688	3.10
8	N/A	MS28775-215	M24231/5-077	802-6337554.8.7.1-2	CP2297 / CP2302-1 CP2302-2 / CP2302-3 / CP2302-4	1.688-12UN-2A	1.688	3.10
15	N/A	MS28775-220	M24231/5-077	802-6337554.8.7.2-1	CP2303 / CP2305-1 CP2305-2 / CP2305-3 / CP2305-4	2.000-12UN-2A	2.00	3.13