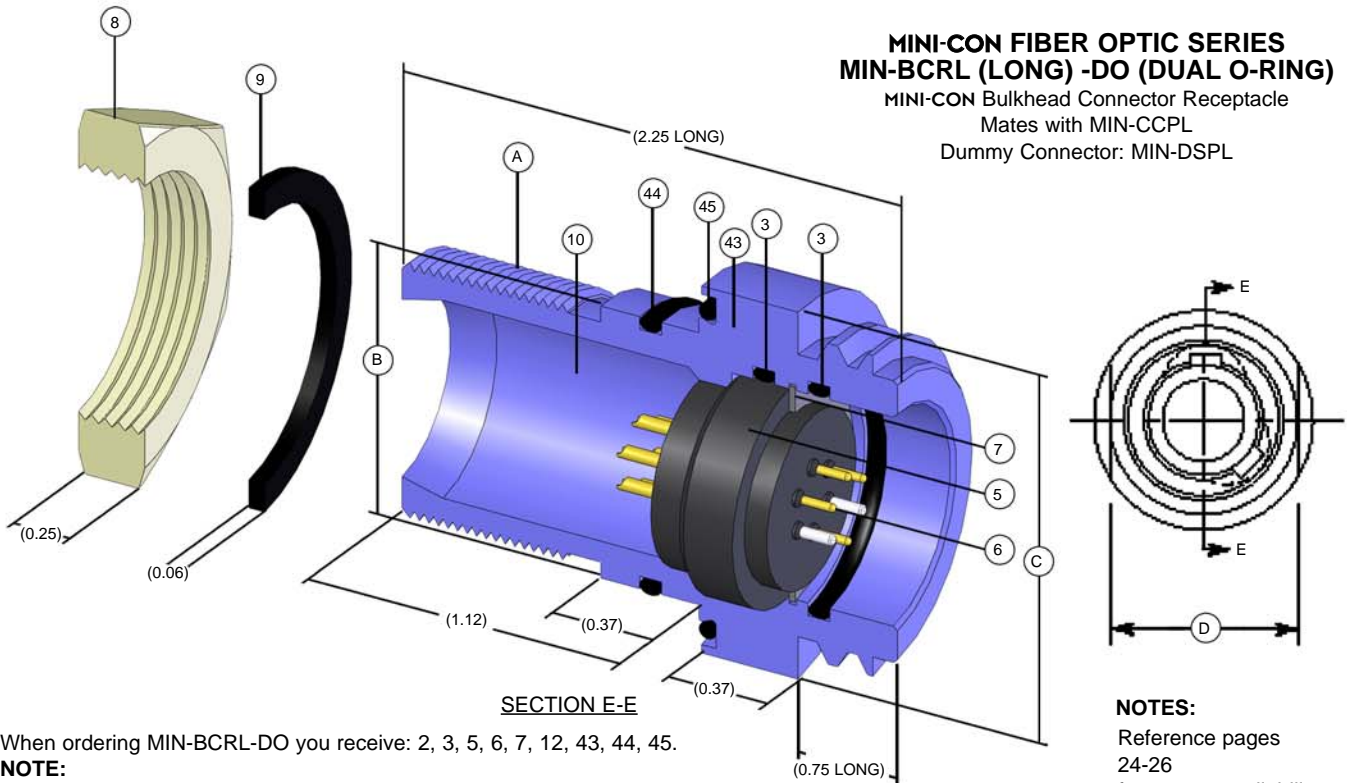


**MINI-CON FIBER OPTIC SERIES
MIN-BCRL (LONG) -DO (DUAL O-RING)**

MINI-CON Bulkhead Connector Receptacle
Mates with MIN-CCPL
Dummy Connector: MIN-DSPL



When ordering MIN-BCRL-DO you receive: 2, 3, 5, 6, 7, 12, 43, 44, 45.

NOTE:

Please refer to the MINI-CON master parts and's materials list on page 23.

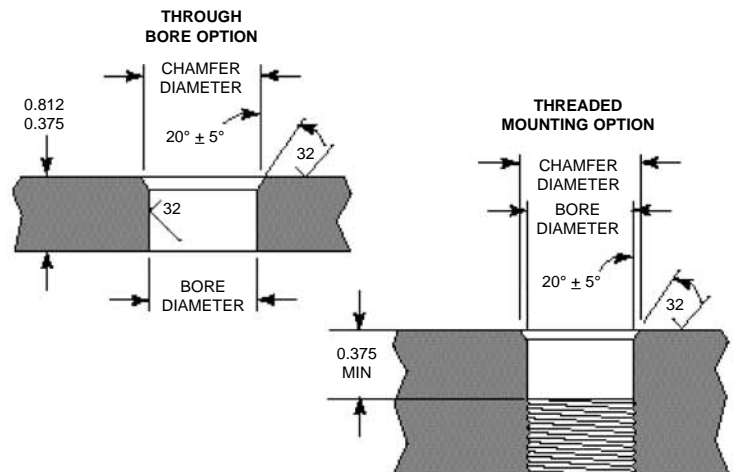
NOTES:

Reference pages 24-26 for pattern availability.

CONNECTOR	A - MOUNTING THREAD	B - DIAMETER (INCHES)	C - SQUARE (INCHES)	D - MOUNTING HOLE LOCATION (INCHES)	44 - O-RING	45 - O-RING	3 - O-RING	7 - SPIROLOX	8 - HEX NUT ACROSS FLATS (INCHES)	8 - HEX NUT ACROSS POINTS (INCHES)	9 - WASHER OD (INCHES)
MINM-BCRL-DO	1-20 UNEF-2A	1.060	1.43	1.31	2-021	2-024	2-019	UR81	1.25	1.44	1.25
MINO-BCRL-DO	1 1/8-16 UN-2A	1.185	1.68	1.56	2-023	2-027	2-023	UR106	1.50	1.75	1.50
MINP-BCRL-DO	1 1/4-16 UN-2A	1.310	1.81	1.68	2-025	2-029	2-025	UR118	1.62	1.88	1.63
MINQ-BCRL-DO	1 3/8-16 UN-2A	1.435	1.93	1.81	2-027	2-030	2-028	UR137	1.75	2.00	1.75
MINR-BCRL-DO	1 1/2-16 UN-2A	1.623	2.06	1.93	2-029	2-031	2-029	UR150	1.87	2.16	1.88
MINT-BCRL-DO	2-16 UN-2A	2.123	2.62	2.43	2-033	2-035	2-031	UR175	2.37	2.75	2.38
MINU-BCRL-DO	2 1/4-16 UN-2A	2.373	3.00	2.68	2-035	2-037	2-033	UR200	2.75	3.03	2.63
MINX-BCRL-DO	2 3/4-16 UN-2A	2.873	3.62	3.22	2-039	2-041	2-037	UR250	3.25	3.63	3.16

BCRL-DO MOUNTING REQUIREMENTS

PART	BORE Ø + 0.002 -0.000 (INCHES)	CHAMFER 0 + 0.010 (INCHES)	BCRL MOUNTING TORQUE (INCH-POUNDS)
M	1.062	1.112	120-150
O	1.187	1.237	130-160
P	1.312	1.362	140-170
Q	1.437	1.487	150-180
R	1.625	1.675	170-220
T	2.125	2.175	210-250
U	2.375	2.425	220-260
X	2.875	2.925	240-280



NOTES:

- Bore must be perpendicular to spot face.
- Spotface diameter to be equal to greater than the connector diameter.
- If threaded mount is used, thread must be concentric with bore.