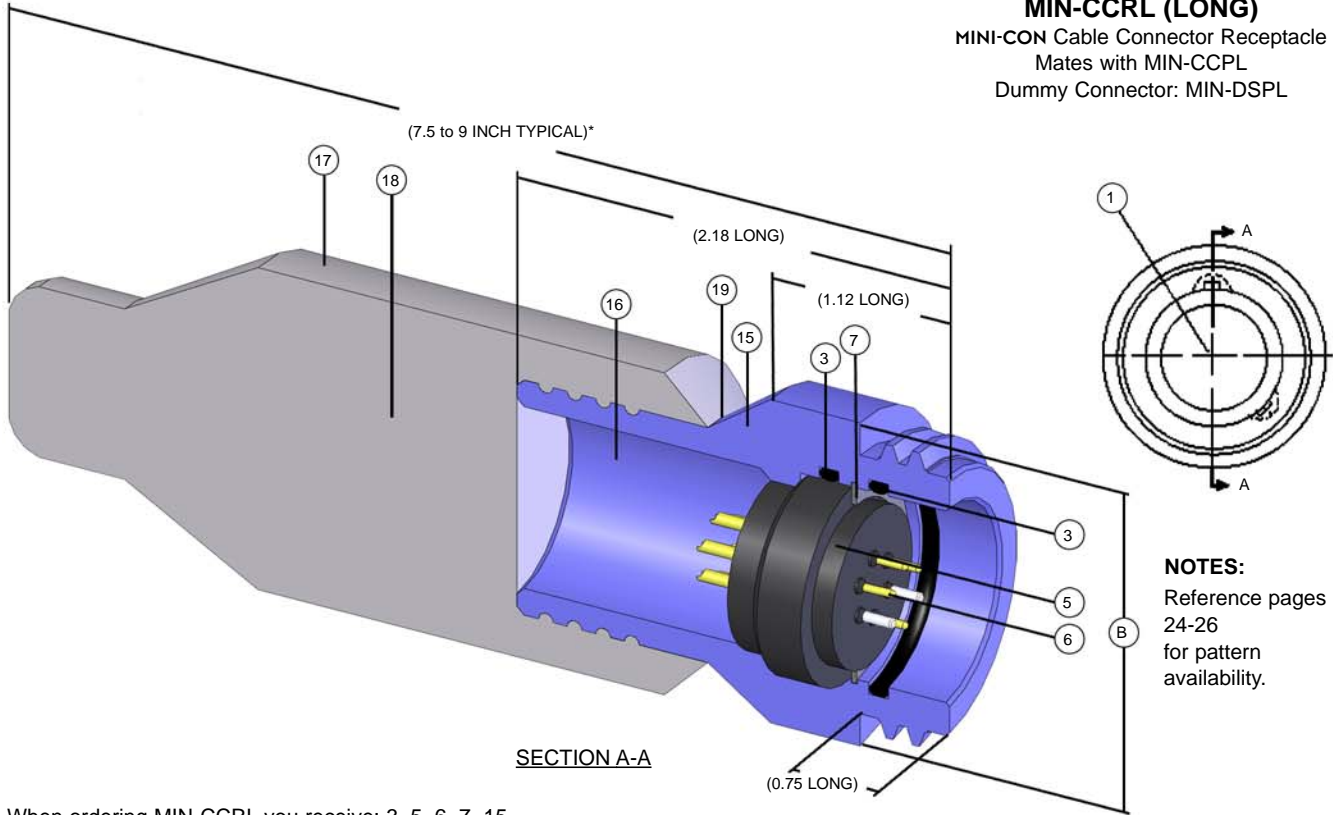


**MINI-CON FIBER OPTIC SERIES
MIN-CCRL (LONG)**

MINI-CON Cable Connector Receptacle
Mates with MIN-CCPL
Dummy Connector: MIN-DSPL



NOTES:
Reference pages
24-26
for pattern
availability.

When ordering MIN-CCRL you receive: 3, 5, 6, 7, 15.

NOTE:

Please contact **SEACON** for available tooling to suit your individual cable requirements.
Please refer to the **MINI-CON** master parts and materials list on page 23.

CONNECTOR	B - DIAMETER (INCHES)	7 - SPIROLOX	3 - O-RING	REAR SHELL OD (INCHES)
MINM-CCRL	1.37	UR81	2-019	T.B.A
MINO-CCRL	1.62	UR106	2-023	T.B.A
MINP-CCRL	1.75	UR118	2-025	T.B.A
MINQ-CCRL	1.87	UR137	2-028	T.B.A
MINR-CCRL	2.00	UR150	2-029	T.B.A
MINT-CCRL	2.50	UR175	2-031	T.B.A
MINU-CCRL	2.75	UR200	2-033	T.B.A
MINX-CCRL	3.50	UR250	2-037	T.B.A

* Will vary with cable size.