

**MINI-CON SERIES  
MIN-DSRL (LONG)**  
MINI-CON Dummy Sealing Receptacle  
Mates with MIN-CCPL

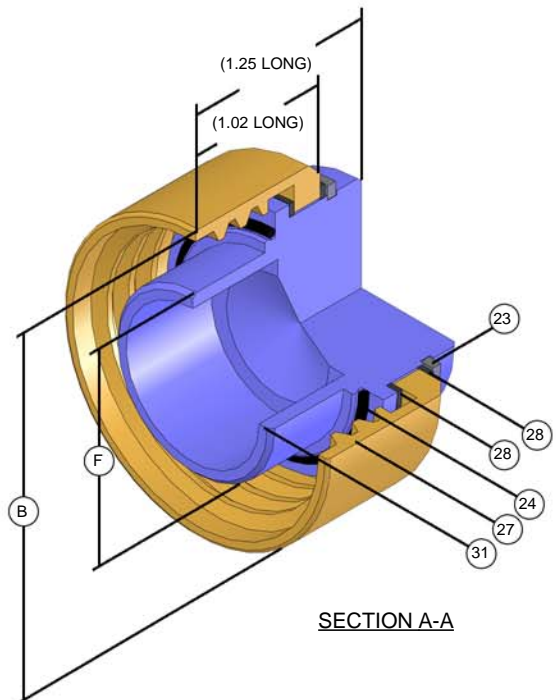
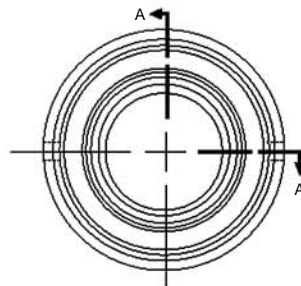
DUMMY CONNECTOR	B - DIAMETER (INCHES)	3 - O-RING
MINM-DSRL	1.37	2-019
MINO-DSRL	1.62	2-023
MINP-DSRL	1.75	2-025
MINQ-DSRL	1.87	2-028
MINR-DSRL	2.00	2-029
MINT-DSRL	2.50	2-031
MINU-DSRL	2.75	2-033
MINX-DSRL	3.50	2-037

When ordering MIN-DSRL you receive: 3, 29.

**NOTE:**

Please refer to the MINI-CON master parts and materials list on page 23.

**MINI-CON SERIES  
MIN-DSPL (LONG)**  
MINI-CON Dummy Sealing Plug  
Mates with MIN-BCRL/FCRL/CCRL



**SECTION A-A**

DUMMY CONNECTOR	B - DIAMETER (INCHES)	24 - O-RING	23 - RETAINING RING
MINM-DSPL	1.37	2-020	5100-100
MINO-DSPL	1.62	2-024	5100-118
MINP-DSPL	1.75	2-027	5100-131
MINQ-DSPL	1.87	2-028	5100-150
MINR-DSPL	2.00	2-029	5100-156
MINT-DSPL	2.50	2-032	5100-187
MINU-DSPL	2.75	2-033	5100-206
MINX-DSPL	3.50	2-038	5100-268

When ordering MING-DSPL you receive: 23, 24, 27, 28, 31.