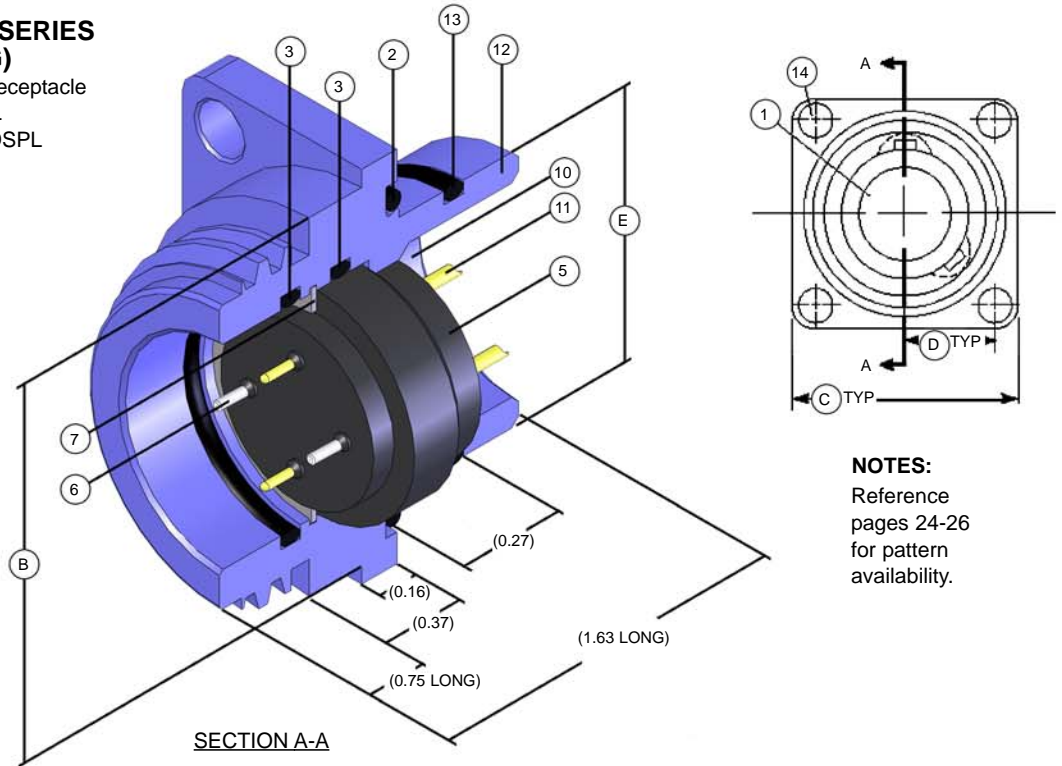


**MINI-CON FIBER OPTIC SERIES
MIN-FCRL (LONG)**

MINI-CON Flange Connector Receptacle
Mates with MIN-CCPL
Dummy Connector: MIN-DSPL



NOTE:
Please refer to the MINI-CON master parts and materials list on page 23.

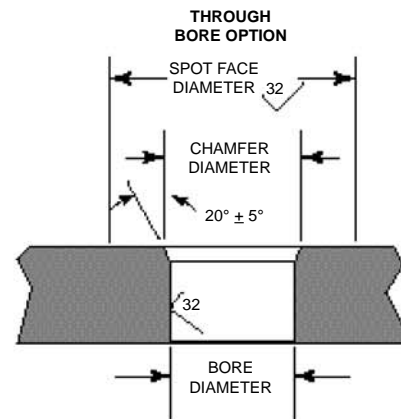
NOTES:
Reference pages 24-26 for pattern availability.

When ordering MIN-FCRL you receive: 2, 3, 5, 6, 7, 12, 13.

CONNECTOR	B - DIAMETER (INCHES)	C - SQUARE (INCHES)	D - MOUNTING HOLE LOCATION (INCHES)	E - DIAMETER (INCHES)	13 - O-RING	7 - SPIROLOX	2 - O-RING	SOCKET HEAD CAPSCREW	3 - O-RING
MINM-FCRL	1.37	1.50	0.593	0.998	2-020	UR81	2-023	8-32 UNC-2A	2-019
MINO-FCRL	1.62	1.75	0.723	1.123	2-022	UR106	2-026	8-32 UNC-2A	2-023
MINP-FCRL	1.75	1.87	0.777	1.248	2-024	UR118	2-028	8-32 UNC-2A	2-025
MINQ-FCRL	1.87	2.00	0.831	1.373	2-026	UR137	2-029	10-24 UNC-2A	2-028
MINR-FCRL	2.00	2.12	0.884	1.498	2-028	UR150	2-029	10-24 UNC-2A	2-029
MINT-FCRL	2.50	2.62	1.043	1.998	2-032	UR175	2-034	1/4-20 UNC-2A	2-031
MINU-FCRL	2.75	2.87	1.130	2.248	2-034	UR200	2-036	1/4-20 UNC-2A	2-033
MINX-FCRL	3.50	3.62	1.470	2.748	2-038	UR250	2-041	3/8-16 UNC-2A	2-037

FCRL MOUNTING REQUIREMENTS

SIZE	BORE Ø +0.002 -0.000 (INCHES)	CHAMFER Ø ±0.010 (INCHES)	SPOTFACE Ø * ±0.015 (INCHES)	SPOTFACE Ø ** ±0.015 (INCHES)
M	1.000	1.040	1.31	2.12
O	1.125	1.175	1.50	2.44
P	1.250	1.290	1.62	2.62
Q	1.375	1.425	1.81	2.81
R	1.500	1.540	1.87	3.00
T	2.000	2.050	2.50	3.75
U	2.250	2.290	2.75	4.00
X	2.750	2.800	3.31	5.06



NOTES: CHAMFER IS TO BE 20° ± 5°

* This dimension is to be used if spotface is less than or equal to 0.001 inches deep.

** This dimension is to be used if spotface is greater than 0.001 inches deep.