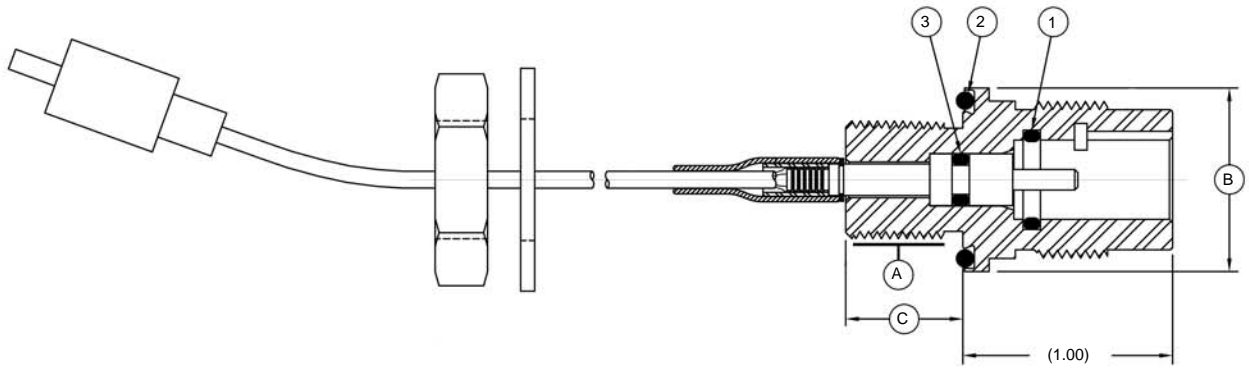
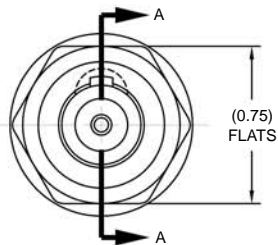
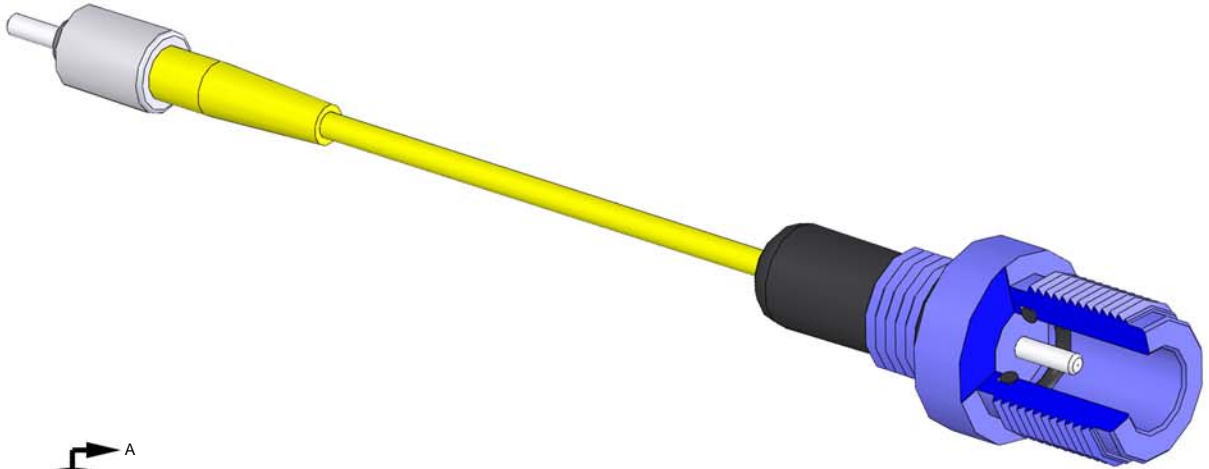


MINI-CON FIBER OPTIC SERIES
MINF-BCR-1FO

MINI-CON Fiber Optic Bulkhead Connector Receptacle



CONNECTOR	A - MOUNTING THREAD	B - DIAMETER (INCHES)	C - LENGTH (INCHES)	1 - O-RING	2 - O-RING	3 - O-RING
MINF-1FO-BCR	9/16-18 UNF-2A	0.87	0.56	2-012	2-016	2-006
MINF-1FO-BCR 1 INCH	9/16-18 UNF-2A	0.95	1.00	2-012	2-017	2-006
MINF-1FO-BCR 2 1/4 INCH	9/16-18 UNF-2A	0.95	2.25	2-012	2-017	2-006

NOTE:

- Please specify fiber optic cable type (Single-Mode, Multi-Mode) at time of ordering.
- Hex Nut and Washer is optional.