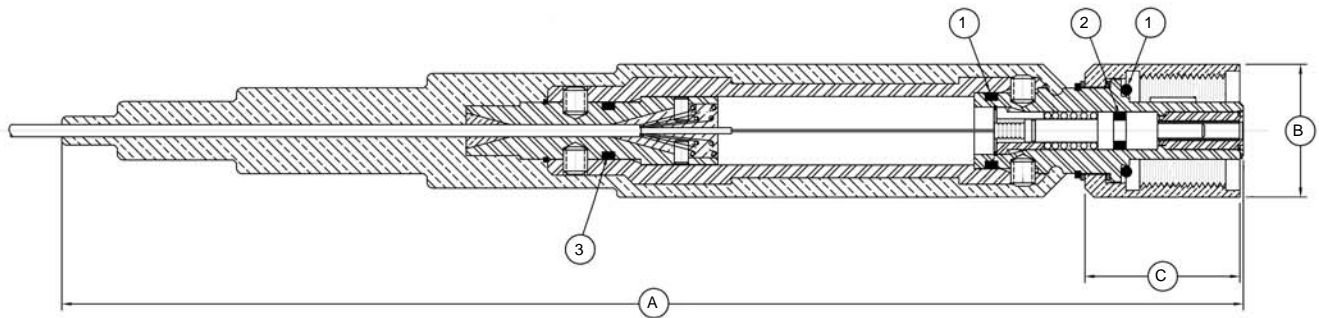
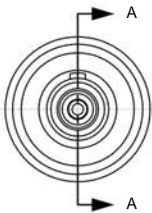
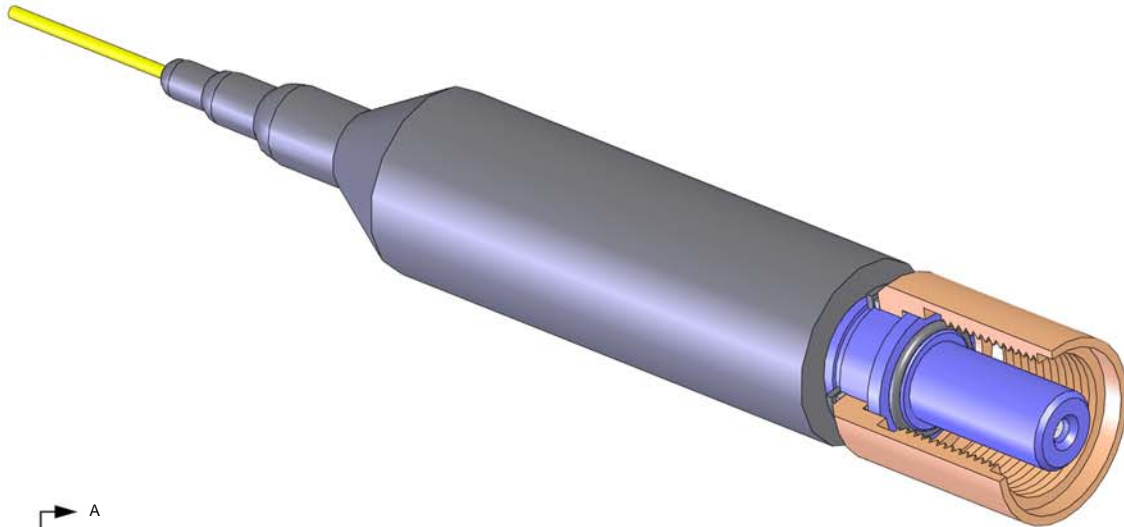


**MINI-CON FIBER OPTIC SERIES
MINF-CCP-1FO**

MINI-CON Fiber Optic Cable Connector Plug



SECTION A-A

CONNECTOR	A - LENGTH (INCHES)	B - DIAMETER	C - THREAD LENGTH (INCHES)	1 - O-RING	2 - O-RING	3 - O-RING
MINF-1FO-CCP	7.50/8.00	0.87	1.02	2-012	2-006	2-010

NOTE:

- Other variations are available to suit different cable types. Please contact SEACON for further information.
- Please specify fiber optic cable type (Single-Mode, Multi-Mode) at time of ordering.