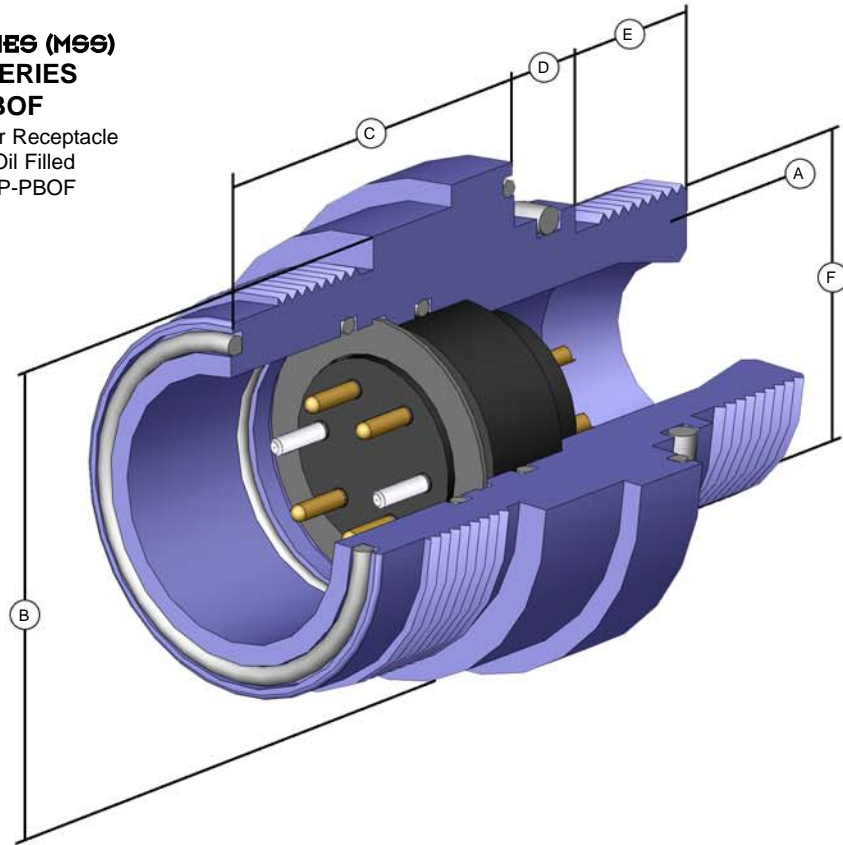


**METAL SHELL SERIES (MSS)
FIBER OPTIC SERIES
MSS-BCR-PBOF**

MSS Bulkhead Connector Receptacle
Pressure Balanced Oil Filled
Mates with MSS-CCP-PBOF



NOTES:

The short pin in the CCP contact insert opens the check valve in the CCP assembly when mated, thus accomplishing complete pressure balancing, completely eliminating the pistoning effect of conductors during pressurization.

Tubing stems are designed to fit standard tubing sizes.

Pressure Balanced Oil Filled Series

The unique valve assembly allows oil into the connector interface area when mated and seals when unmated.

CONNECTOR	A - THREAD	B - DIAMETER (INCHES)	C - LENGTH (INCHES)	D - LENGTH (INCHES)	E - LENGTH (INCHES)	F - DIAMETER (INCHES)
MSSL-BCR-PBOF	1-1/4-12 UN-2A	2.12	2.0	0.375	1.00	1.310
MSSM-BCR-PBOF	1-3/4-12 UN-2A	2.75	2.25	0.500	0.870	1.997
MSSO-BCR-PBOF	2-1/4-12 UN-2A	3.50	2.25	0.500	1.250	2.497
MSSP-BCR-PBOF	2-1/2-12 UN-2A	3.75	2.25	0.500	1.500	2.747
MSSQ-BCR-PBOF	2-3/4-12 UN-2A	4.50	2.25	0.750	1.750	3.122

These parts may require set-up charges and have longer deliveries. Refer to pages 27-29 for available contact configurations.

SPECIFICATION:

- BODY MATERIAL: 316 Stainless Steel.
- INSERT: Glass Reinforced Epoxy.
- CONTACTS: Brass, gold plated.
- PRESSURE RATING: 2,500 psi.