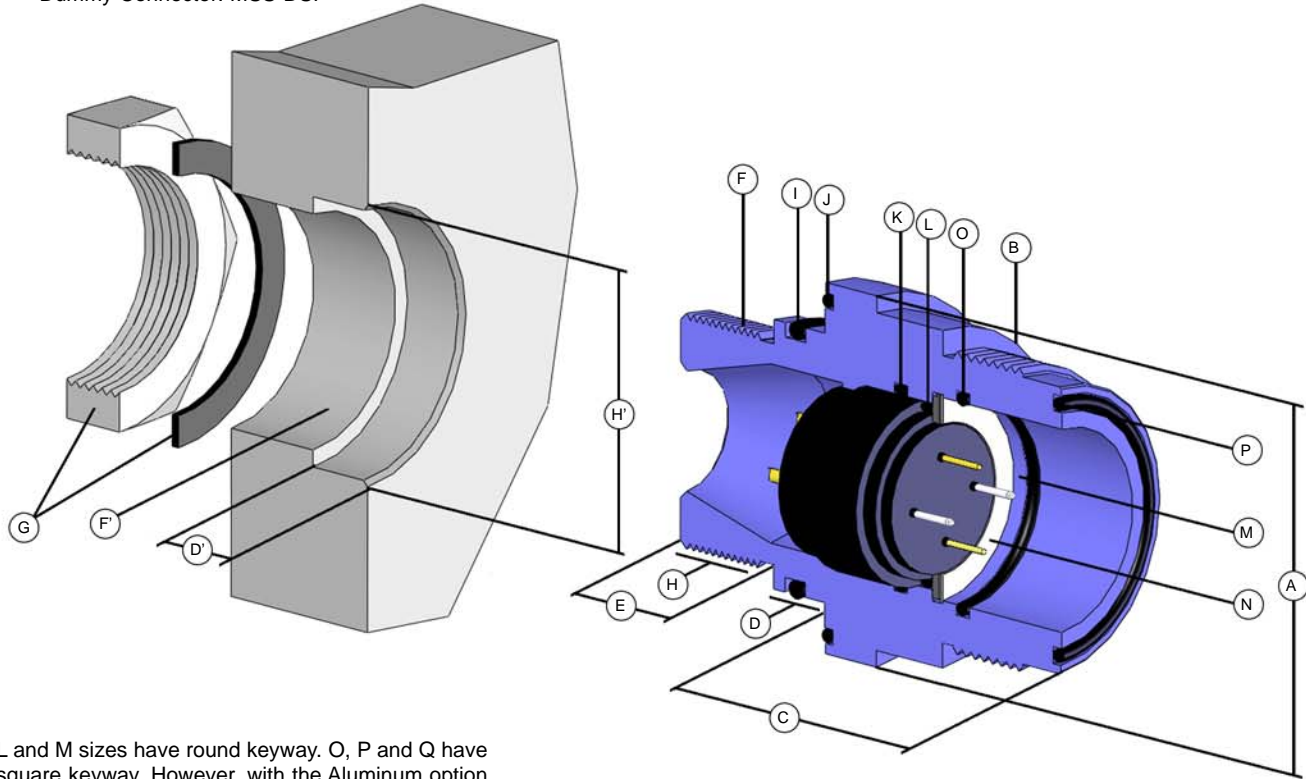


**METAL SHELL SERIES (MSS)**  
**MSS-BCR**

MSS Bulkhead Connector Receptacle  
Mates with MSS-CCP  
Dummy Connector: MSS-DSP



L and M sizes have round keyway. O, P and Q have square keyway. However, with the Aluminum option all sizes have a square keyway. Refer to pages 27-29 for contact configurations. L and M Aluminum connectors will not mate with Stainless Steel connectors.

PART DESCRIPTION	CONNECTOR SIZE					S
	L	M	O	P	Q	
A - DIAMETER (INCHES)	2.12	2.75	3.50	3.75	4.50	For MSS-S connector details please contact SEACON.
B - WRENCH FLATS	1.88	2.25	2.75	3.00	3.62	
C - HEIGHT	2.00	2.25	2.25	2.25	2.25	
D - SHOULDER	0.37	0.50	0.50	0.75	0.75	
E - THREAD LENGTH	1.00	0.87	1.25	1.50	1.75	
F - THREAD SIZE	1 1/2 - 2UN - 2A	1 3/4 - 12UN - 2A	2 1/4 - 12UN - 2A	2 1/2 - 12UN - 2A	2 3/4 - 12UN - 2B	
G - HEX NUT (ACROSS FLATS INCHES)	1.75 X 0.25	2.25 X 0.50	3.00 X 0.50	3.25 X 0.50	3.75 X 0.50	
H - DIAMETER	1.310 max	1.997 max	2.497 max	2.747 max	3.122 max	
I - O-RING	2 - 122	2 - 224	2 - 228	2 - 230	2 - 233	
J - O-RING	2 - 131	2 - 142	2 - 234	2 - 236	2 - 241	
K - O-RING	2 - 122	2 - 126	2 - 225	2 - 227	2 - 230	
L - O-RING	2 - 022	2 - 123	2 - 131	2 - 135	2 - 141	
M - WASHER	77 - 1 - 374	77 - 1 - 474	77 - 1 - 574	77 - 1 - 674	77 - 1 - 774	
N - SPIROLOX RING	UR - 131	UR - 150	UR - 187	UR - 212	UR - 250	
O - O-RING	2 - 027	2 - 128	2 - 225	2 - 227	2 - 230	
P - O-RING	5 - 320	2 - 132	2 - 140	2 - 144	2 - 151	

MOUNTING DIMENSIONS		DIMENSIONS IN INCHES					For MSS-S connector details please contact SEACON.
D' - BORE DEPTH	0.380/min	0.520/min	0.520/min	0.520/min	0.770/min	For MSS-S connector details please contact SEACON.	
F' - BORED	1.250/min	1.750/min	2.250/min	2.500/min	2.750/min		
THREADED	1 1/4 - 12UN - 2B	1 3/4 - 12UN - 2B	2 1/4 - 12UN - 2B	2 1/2 - 12UN - 2B	2 3/4 - 12UN - 2B		
H' - BORE DIAMETER	1.312/1.314	2.000/2.002	2.500/2.502	2.750/2.752	3.125/3.127		