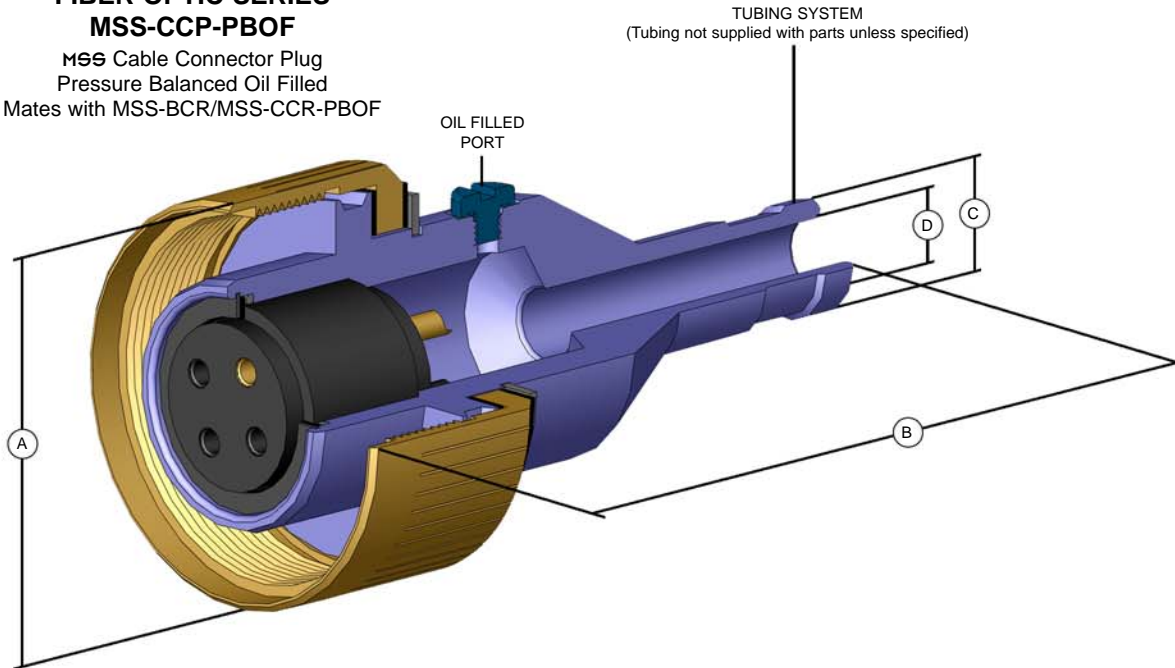


METAL SHELL SERIES (MSS)
FIBER OPTIC SERIES
MSS-CCP-PBOF

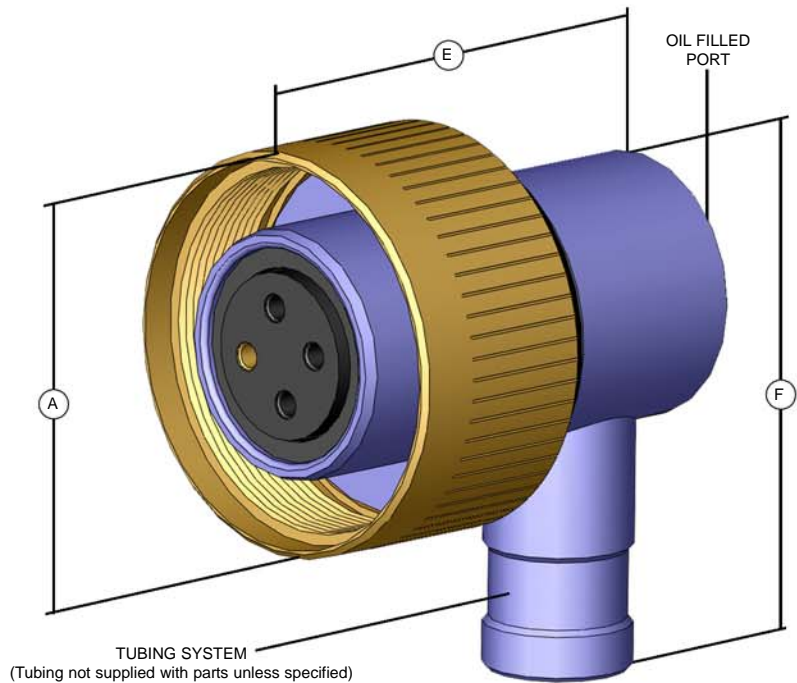
MSS Cable Connector Plug
 Pressure Balanced Oil Filled
 Mates with MSS-BCR/MSS-CCR-PBOF



CONNECTOR	A - DIAMETER (INCHES)	B - LENGTH (INCHES)	C - DIAMETER (INCHES)	D - DIAMETER (INCHES)	E - LENGTH (INCHES)	F - R/A HEIGHT (INCHES)
MSSL-CCP-PBOF	2.12	3.75	0.844	0.62	T.B.A	T.B.A
MSSM-CCP-PBOF	2.50	5.00	0.844	0.62	T.B.A	T.B.A
MSSO-CCP-PBOF	3.00	5.81	1.000	0.62	T.B.A	T.B.A
MSSP-CCP-PBOF	3.25	6.62	1.000	0.82	T.B.A	T.B.A
MSSQ-CCP-PBOF	3.87	7.00	1.250	1.06	T.B.A	T.B.A

METAL SHELL SERIES (MSS)
FIBER OPTIC SERIES
MSS-CCP-PBOF-R/A

MSS Cable Connector Plug
 Pressure Balanced Oil Filled
 Mates with MSS-BCR/MSS-CCR-PBOF



SPECIFICATION:

- BODY MATERIAL: 316 Stainless Steel.
- NUT: Bronze.
- INSERT: Glass Reinforced Epoxy.
- CONTACTS: Brass, gold plated.
- PRESSURE RATING: T.B.A.