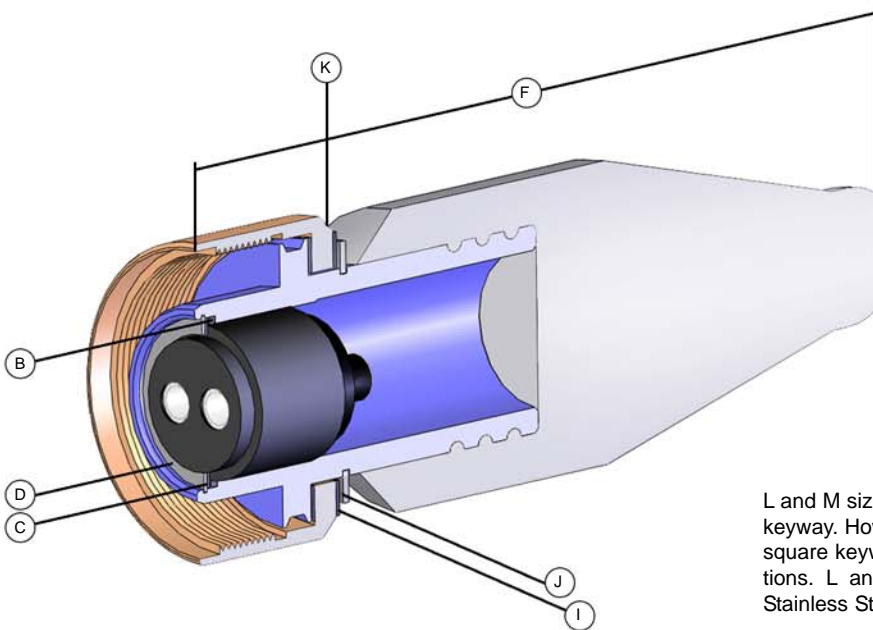


**METAL SHELL SERIES (MSS)
MSS-CCP**

MSS Cable Connector Plug, Straight
Mates with MSS-BCR/CCR/FCR
Dummy Connector: MSS-DSR

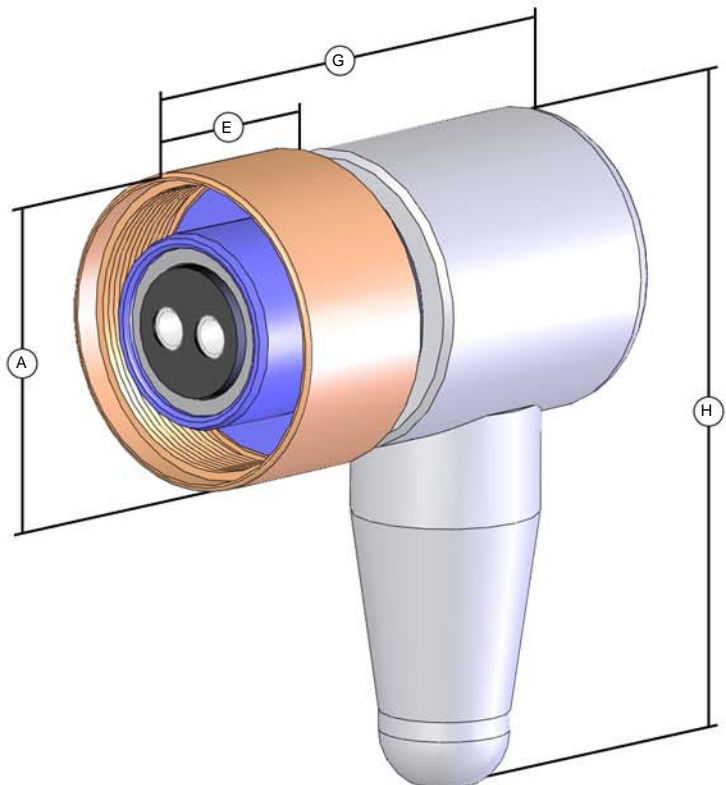


L and M sizes have round keyway. O, P and Q have square keyway. However, with the Aluminum option all sizes have a square keyway. Refer to pages 27-29 for contact configurations. L and M Aluminum connectors will not mate with Stainless Steel connectors.

PART DESCRIPTION	CONNECTOR SIZE						
	L	M	O	P	Q	S	
A - DIAMETER	2.12	2.50	3.00	3.25	3.87	For MSS-S connector details please contact SEACON.	
B - O-RING	2 - 021	2 - 024	2-127	2 - 131	2 - 137		
C - WASHER	77 - 1 - 373	77 - 1 - 473	77 - 1 - 573	77 - 1 - 673	14 - 979		
D - SPIROLOX	UR - 112	UR - 137	UR - 162	UR - 187	UR - 225		
E - ENGAGING NUT	1.22	1.87	1.87	1.87	1.87		
F - LENGTH	12-26 INCHES TYPICAL FOR ALL SIZES						
G - HEIGHT	T.B.A	T.B.A	T.B.A	T.B.A	T.B.A		
H - LENGTH	4.50	6.7	7.8	7.8	9.6		
I - ENGAGING NUT	77 - 1 - 348	77 - 1 - 448	77 - 1 - 548	77 - 1 - 648	77 - 1 - 748		
J - RETAINING RING	5100 - 137	5100 - 162	5100 - 212	5100 - 237	5100 - 275		
K - DIAMETER	1.37	1.62	2.12	2.37	2.75		

**METAL SHELL SERIES (MSS)
MSS-CCP-R/A**

MSS Cable Connector Plug, Right Angle
Mates with MSS-BCR/CCR/FCR
Dummy Connector: MSS-DSR



NOTE:

Dimensions in inches.
Refer to pages 27-29 for contact configurations.