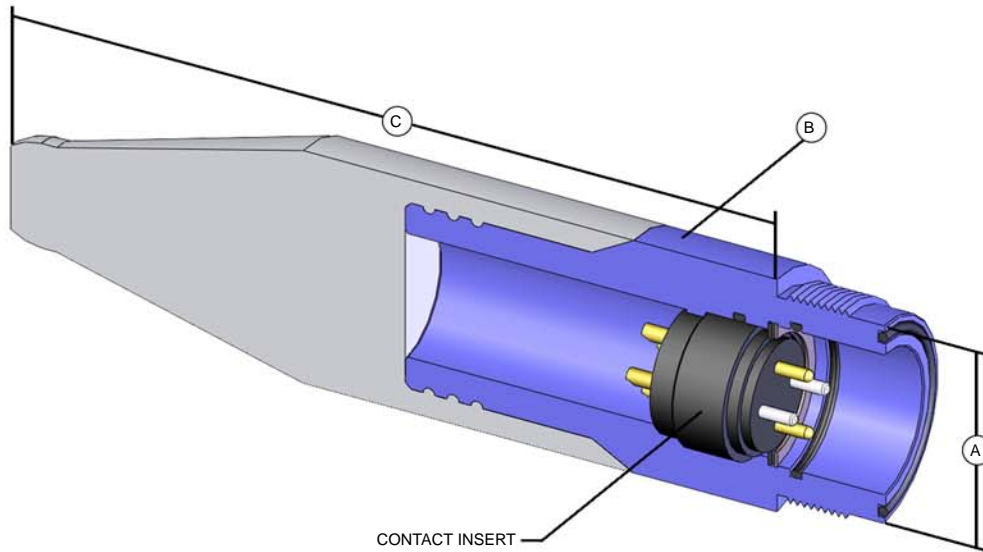


**METAL SHELL SERIES (MSS)**  
**MSS-CCR**

MSS Cable Connector Receptacle  
 Mates with MSS-CCP  
 Dummy Connector: MSS-DSP



L and M sizes have round keyway. O, P and Q have square keyway. However, with the Aluminum option all sizes have a square keyway. Refer to pages 27-29 for contact configurations. L and M Aluminum connectors will not mate with Stainless Steel connectors.

PART DESCRIPTION	CONNECTOR SIZE					
	L	M	O	P	Q	S
A - DIAMETER	2.12	2.50	3.00	3.25	3.87	For MSS-S connector details please contact SEAICON.
B - WRENCH FLAT	1.87	2.25	2.75	3.00	3.62	
C - LENGTH	12-26 INCHES TYPICAL FOR ALL SIZES					